


hydroo [®]	Product information VDROO1-22	Manufacturer	Hydroo
		Address	
Project Name		Contact way	(+34) 972 394 654
		Date	2020/03/13
Station Number		Client Name	GK Electropompa
		Client Addr.	Russia, Moscow
		Contacts	
		Contact way	7(495)981-92-44(45)

Product No.	VF1-22R 0110 T 2340 5 2 IE3		
Product picture(Note: the picture may not be the same as the actual product.)	Series description		
	<p>VDROO is a new series of vertical multistage centrifugal pumps made by Hydroo. It includes different versions: VF, VX, VN and VD and their corresponding pumps sets with motor and with variable frequency drivers.</p> <p>VDROO range has been designed to meet the highest demanding in pumping installations. It has been designed, engineered, industrialized and finally, is being produced in the main factory of Hydroo in Palol de Revardit, Catalonia-Spain.</p>		

Performance Date

Rated flow(m ³ /h)	1
Rated head(m)	122
Efficiency(%)	42
Rated power(kW)(kW)	0.792
NPSHr(m)	1.3
Impeller Dia(mm)	74.5
Rate Speed(rpm)	2900
Impeller stage	22
Min. Flow (m ³ /h)	0.5
Max. Flow (m ³ /h)	2.4
Max. Efficiency (%)	48
MEI	0,8
Pump Weight (kg)	37

MATERIAL

Impeller/Diffuser/Casing	AISI 304
Rubber code	E
Inlet & Outlet chamber	ASTM 25B

INSTALLATION

Connection Code	R
Connection type	Threaded Round flange
Max. pressure (bar)	24
Low/High Temperature()	-15 / 120
Pressure rating	PN25-40
Inlet & Outlet Connection s	DN25
Max. Environment temperatur	40

MOTOR

Number of Motor Phases	3~
Protection Class	IP55
Insulation Class	F
Motor Power (kW)	1.1
Frequency(Hz)	50
Rated speed(rpm)	2900
Rated voltage (V)	230/400
Rated current (A)	4.0/2.3
cos	0.83
Energy efficiency Level	IE3

hydroo [®]	Product information VDROO1-22	Manufacturer	Hydroo
		Address	
		Contact way	(+34) 972 394 654
		Date	2020/03/13
Project Name		Client Name	GK Electropompa
		Client Addr.	Russia, Moscow
Station Number		Contacts	
		Contact way	7(495)981-92-44(45)

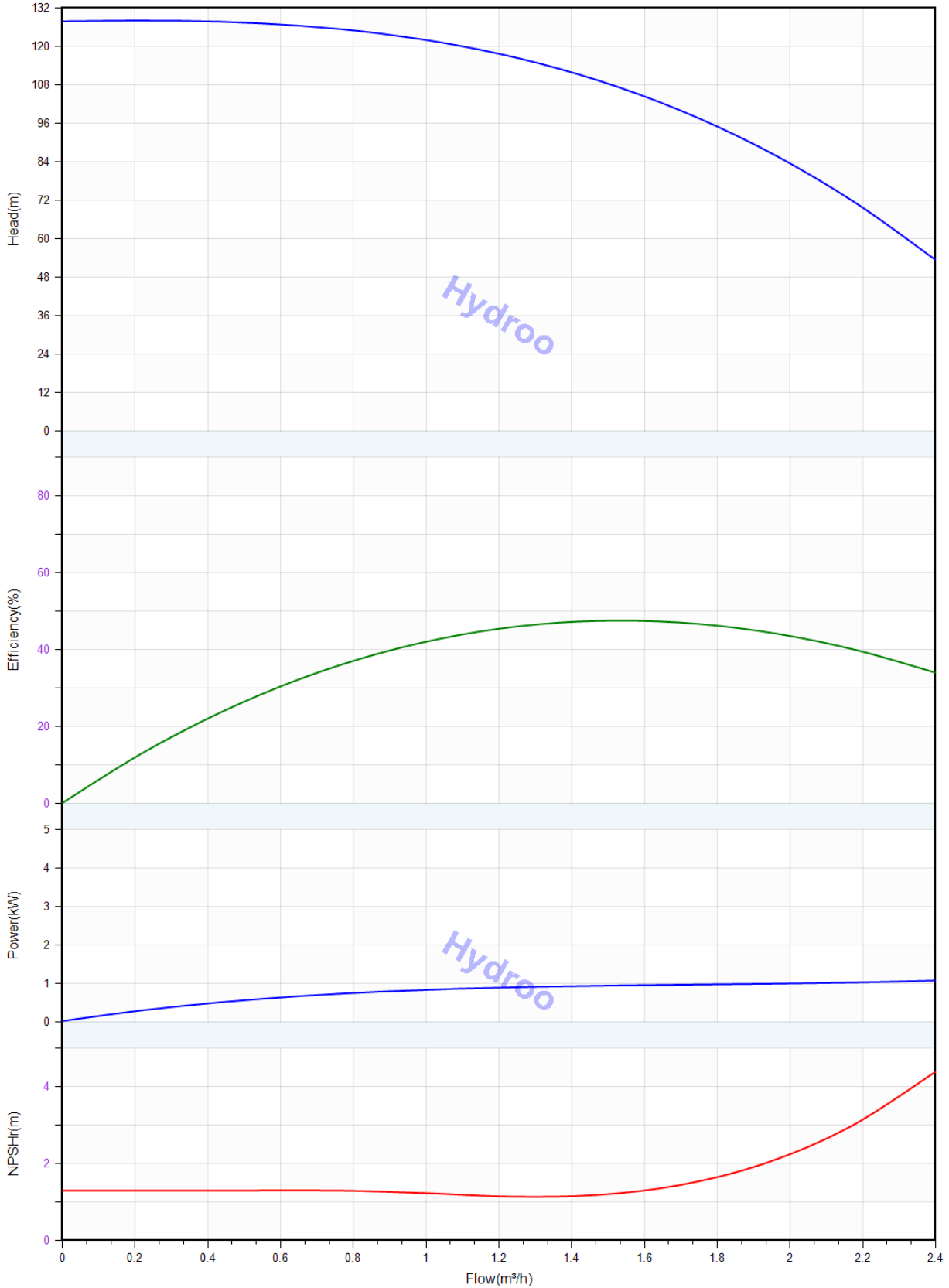
Efficiency100%	82.7
Efficiency75%	83.6
Efficiency50%	83
Drive end bearing	6204ZZ
Non-drive end bearing	6204ZZ
Motor Weight (kg)	11.5

SEAL

Mechanical Seal	D12 WBE4
-----------------	----------

hydroo [®]	Performance Curve VDROO1-22	Manufacturer	Hydroo
		Address	
		Contact way	(+34) 972 394 654
		Date	2020/03/13
Project Name		Client Name	GK Electropompa
Station Number		Client Addr.	Russia, Moscow
		Contacts	
		Contact way	7(495)981-92-44(45)

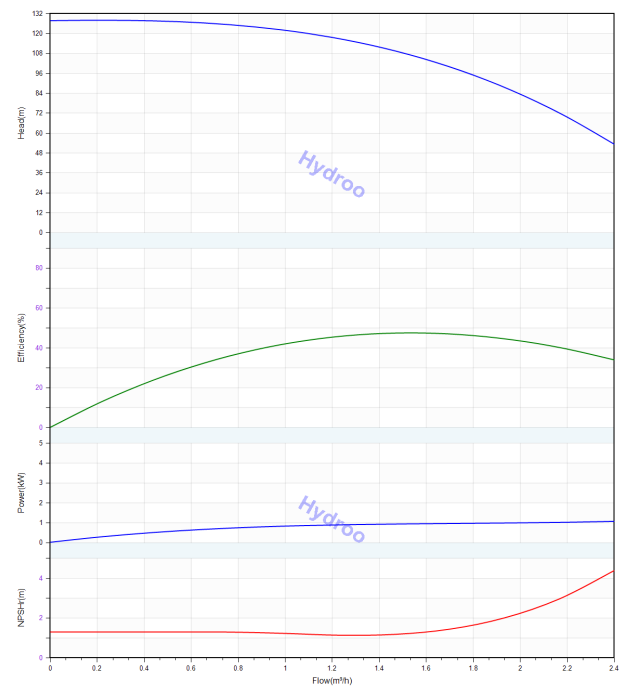
Medium Name Temperature °C, Density 1000 kg/m³ Viscosity 1 mm²/s (ISO 9906 2012 Grande 3B)



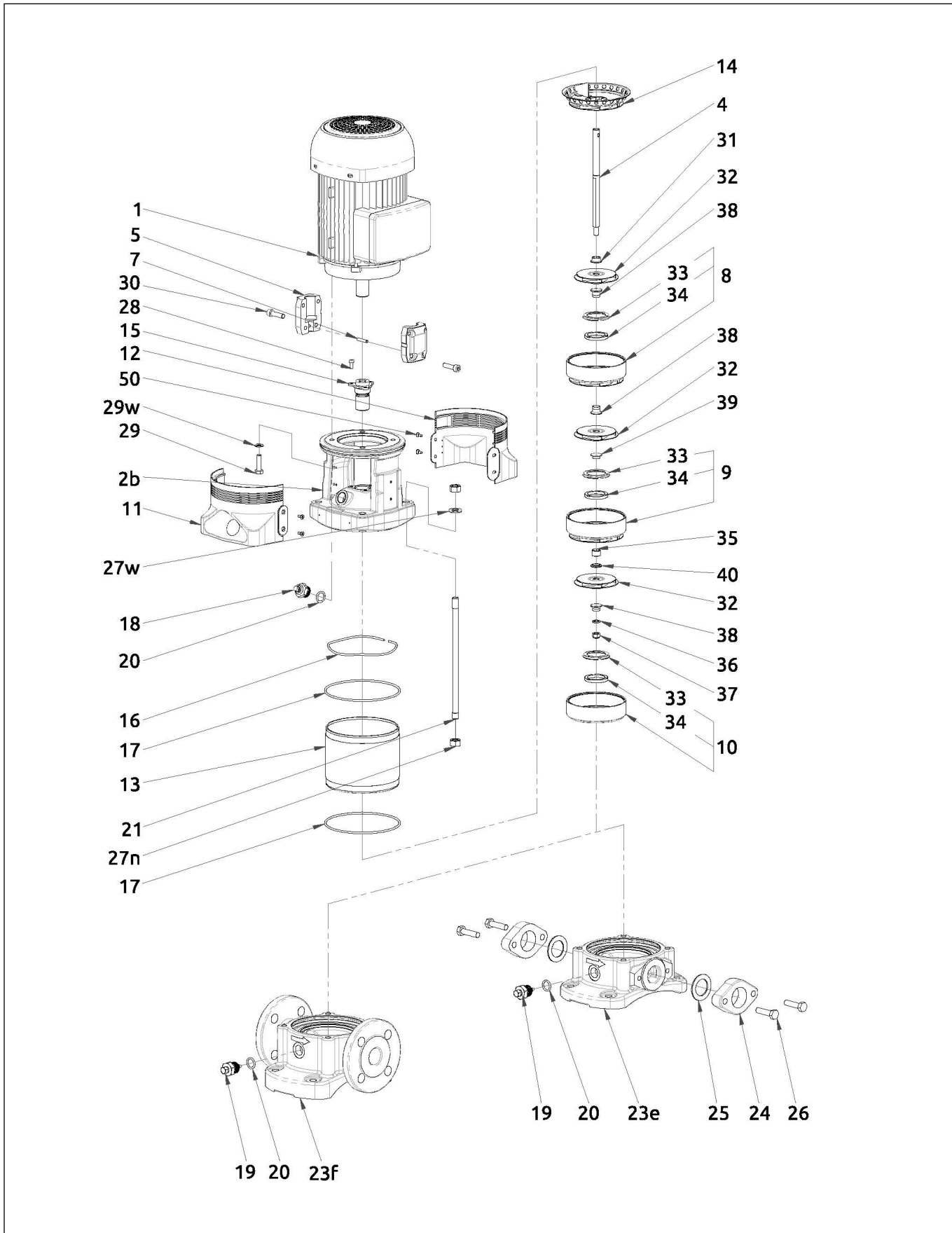
hydroo [®]	Pump technical parameters VDROO1-22	Manufacturer	Hydroo
		Address	
Project Name		Contact way	(+34) 972 394 654
		Date	2020/03/13
Station Number		Client Name	GK Electropompa
		Client Addr.	Russia, Moscow
		Contacts	
		Contact way	7(495)981-92-44(45)

Rated parameters	
Pump model	VDROO1-22
Product No.	VF1-22R 0110 T 2340 5 2 IE3
Rated flow(m ³ /h)	1
Rated pressure(m)	122
Rated efficiency(%)	42
Power(kW)	0.792
NPSHr(m)	1.3
Speed(rpm)	2900

Medium	
Medium Name	clear water
Working temperature(°C)	20
Medium density(kg/m ³)	1000
Viscosity(mm ² /s)	1



hydroo [®]	Structure picture VDROO1-22	Manufacturer	Hydroo
		Address	
Project Name		Contact way	(+34) 972 394 654
		Date	2020/03/13
Station Number		Client Name	GK Electropompa
		Client Addr.	Russia, Moscow
		Contacts	
		Contact way	7(495)981-92-44(45)



hydroo [®]	Installation drawing VDROO1-22	Manufacturer	Hydroo
		Address	
Project Name		Contact way	(+34) 972 394 654
		Date	2020/03/13
Station Number		Client Name	GK Electropompa
		Client Addr.	Russia, Moscow
		Contacts	
		Contact way	7(495)981-92-44(45)

