


<b>hydroo</b> <sup>®</sup>	<b>Product Information</b> <b>VDROO65-80-1</b>	Manufacturer	Hydroo
		Address	
		Contact	(+34) 972 394 654
		Date	2023/04/04
<b>Project Name</b>		Client Name	Promkomplekt
		Client Addr.	Moscow
<b>Item NO</b>		Contacts	
		Contact	

Part NO.	VF65-80-1R 4500 T 4069 5 2 IE3
----------	--------------------------------

Product Picture	Note
	<p>VDROO is a new series of vertical multistage centrifugal pumps made by Hydroo. It includes different versions: VF, VX, VN and VD and their corresponding pumps sets with motor and with variable frequency drivers.</p> <p>VDROO range has been designed to meet the highest demanding in pumping installations. It has been designed, engineered, industrialized and finally, is being produced in the main factory of Hydroo in Palol de Revardit, Catalonia-Spain.</p>

### Nameplate parameters

flow	65 m <sup>3</sup> /h
head	161 m
Efficiency	72.3
speed	2900
number of stages	8

### Rated parameters

Min. Flow (m <sup>3</sup> /h)	30
Max. Flow (m <sup>3</sup> /h)	80
Max. Efficiency (%)	76
MEI	≥ 0,6
Pump Weight (kg)	424

### MATERIAL

Impeller/Diffuser/Casing	AISI 304
Rubber code	F
Inlet & Outlet chamber	ASTM 25B

### INSTALLATION

Connection Code	R
Connection type	Threaded Round flange
Max. pressure (bar)	22
Low/High Temperature (°C)	-15 / 120
Pressure rating	PN16
Inlet & Outlet Connection	DN100
Max. Environment temperatu	40

### MOTOR

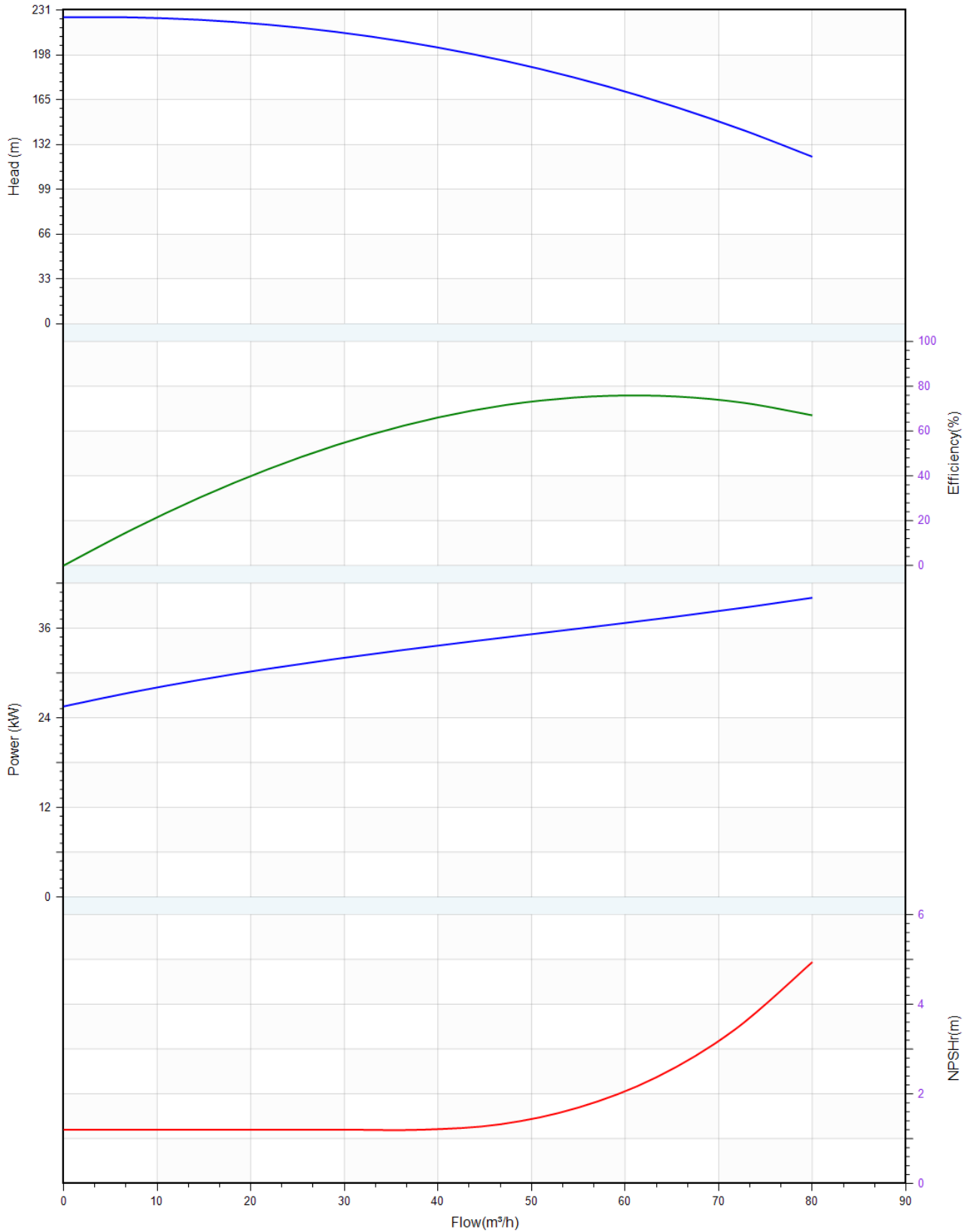
Number of Motor Phases	3~
Protection Class	IP55
Insulation Class	F
Motor power (kw)	45
Frequency(Hz)	50
Rated speed(rpm)	2900
Rated voltage (V)	400/690
Rated current (a)	76.8/44.5
cosφ	0.9
Energy efficiency Level	IE3
Efficiency100%	94

<b>hydroo</b> <sup>®</sup>	<b>Product Information</b> <b>VDROO65-80-1</b>	Manufacturer	Hydroo
		Address	
		Contact	(+34) 972 394 654
		Date	2023/04/04
<b>Project Name</b>		Client Name	Promkomplekt
		Client Addr.	Moscow
<b>Item NO</b>		Contacts	
		Contact	

Efficiency75%	94.1
Efficiency50%	93.6
Drive end bearing	6313ZZC3
Non-drive end bearing	7313B
Motor Weight (kg)	364
<b>SEAL</b>	
Mechanical seal	D22 WBF16

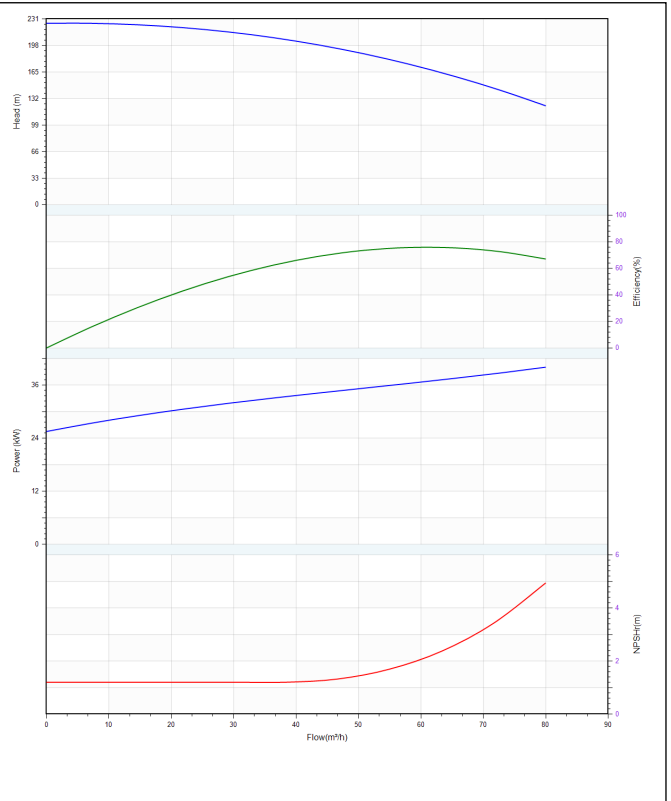
<b>hydroo</b> <sup>®</sup>	<b>Performance Curve</b> <b>VDROO65-80-1</b>	Manufacturer	Hydroo
		Address	
		Contact	(+34) 972 394 654
		Date	2023/04/04
<b>Project Name</b>		Client Name	Promkomplekt
		Client Addr.	Moscow
<b>Item NO</b>		Contacts	
		Contact	

The hydraulic performance curve have been tested with Water at °C, density 1000kg/m<sup>3</sup>, and at 1bar atmospheric pressure. GB32162016 Grande 3B

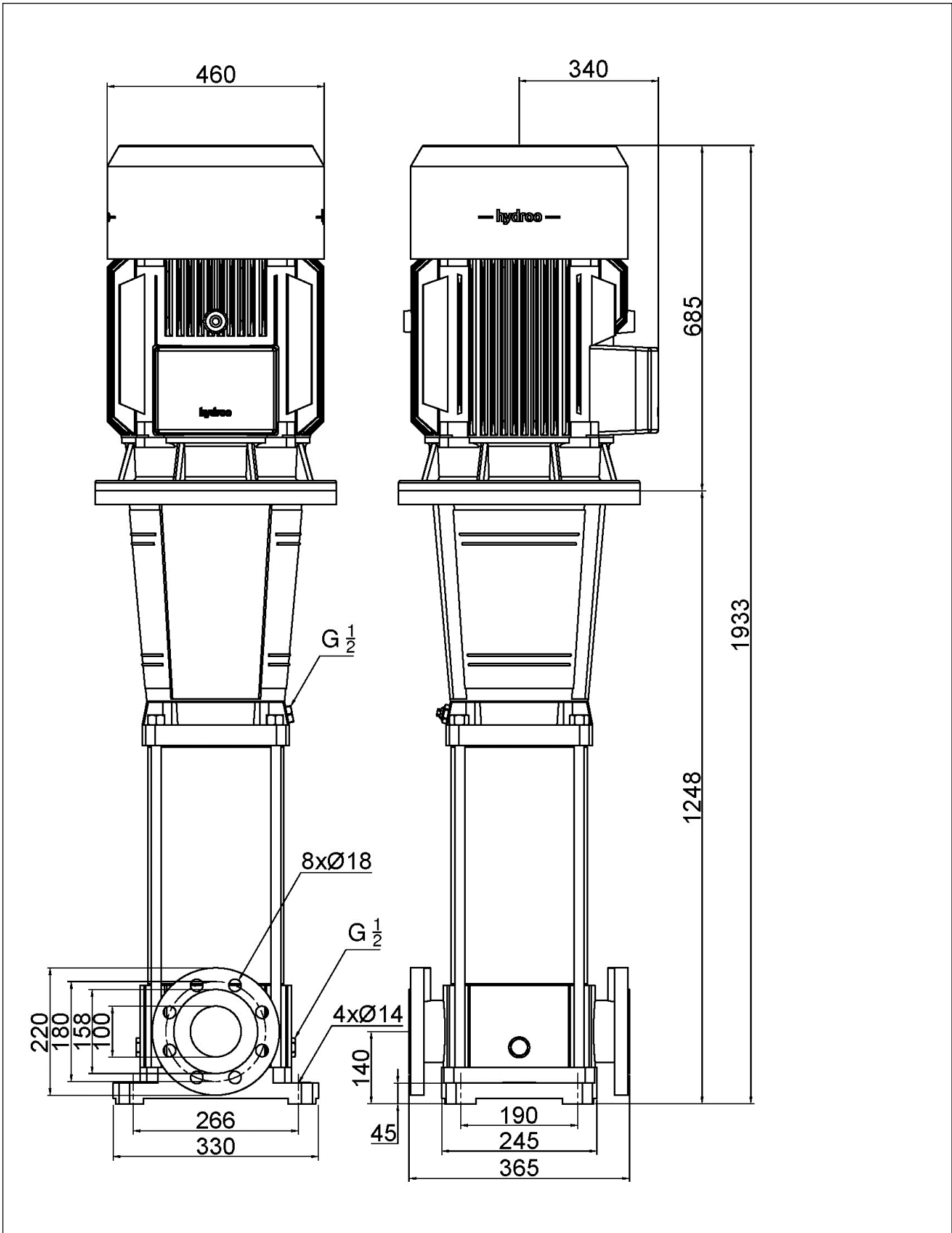


<b>hydroo</b> <sup>®</sup>	<b>Pump Technical Parameters</b> <b>VDROO65-80-1</b>	Manufacturer	Hydroo
		Address	
		Contact	(+34) 972 394 654
		Date	2023/04/04
<b>Project Name</b>		Client Name	Promkomplekt
<b>Item NO</b>		Client Addr.	Moscow
		Contacts	
		Contact	

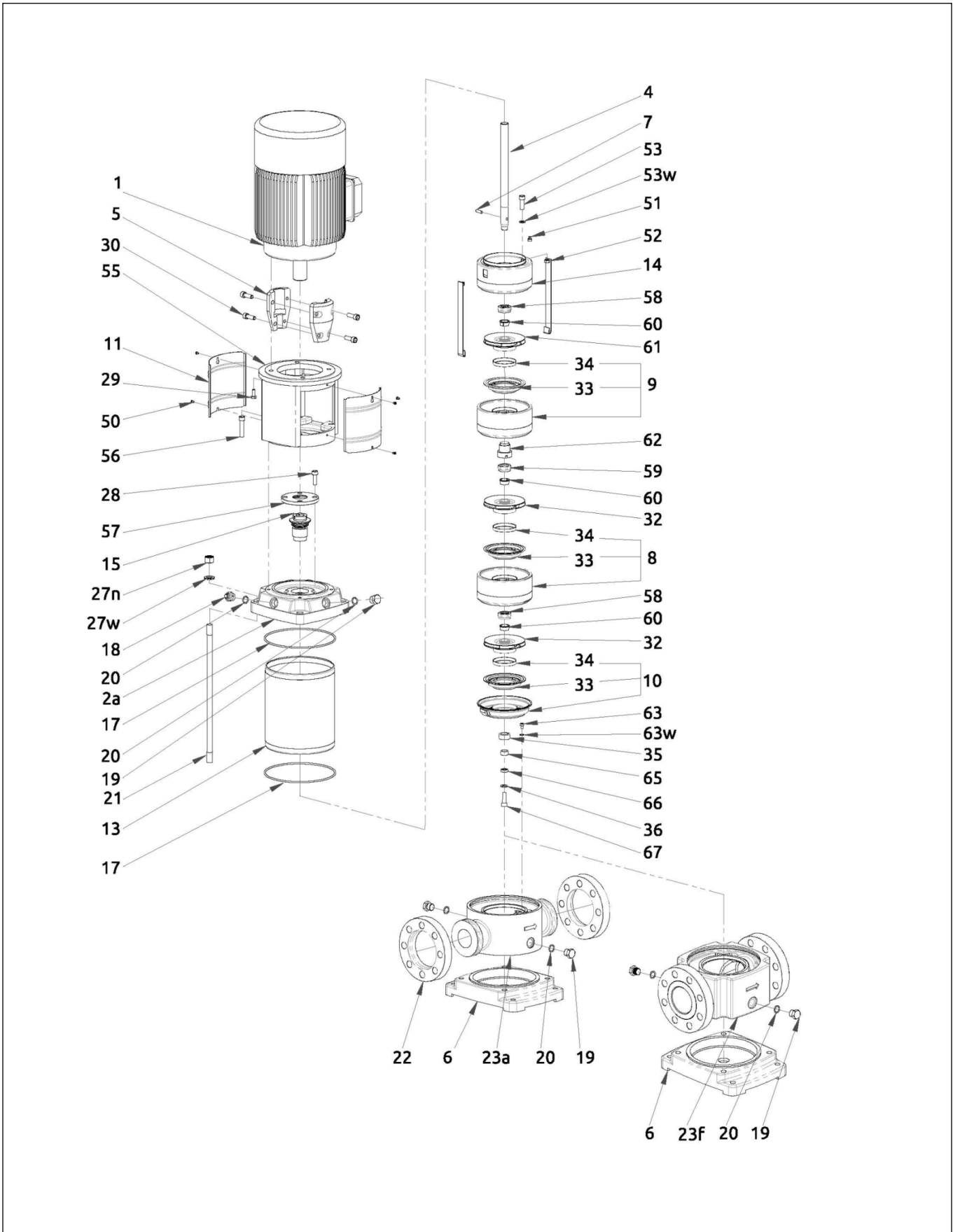
Rated parameters	
Pump model	VDROO65-80-1
Part NO.	VF65-80-1R 4500 T 4069 5 2 IE3
Rated flow	65 m <sup>3</sup> /h
Rated head	161 m
Rated efficiency (%)	72.3
Power (kW)	39.4
NPSHr (m)	2.5
Speed (rpm)	2900
Max impeller diameter (mm)	142
Medium	
Pumped medium	Water
Working temperature (°C)	20
Medium density (kg/m <sup>3</sup> )	1000
Viscosity (mm <sup>2</sup> /s)	1



<b>hydroo</b> <sup>®</sup>	<b>Installation picture</b> <b>VDROO65-80-1</b>	Manufacturer	Hydroo
		Address	
		Contact	(+34) 972 394 654
		Date	2023/04/04
<b>Project Name</b>		Client Name	Promkomplekt
		Client Addr.	Moscow
<b>Item NO</b>		Contacts	
		Contact	



<b>hydroo®</b>	<b>Structure picture</b> <b>VDROO65-80-1</b>	Manufacturer	Hydroo
		Address	
		Contact	(+34) 972 394 654
		Date	2023/04/04
<b>Project Name</b>		Client Name	Promkomplekt
		Client Addr.	Moscow
<b>Item NO</b>		Contacts	
		Contact	



<b>hydroo</b> <sup>®</sup>	<b>Physical picture</b> <b>VDROO65-80-1</b>	Manufacturer	Hydroo
		Address	
		Contact	(+34) 972 394 654
		Date	2023/04/04
<b>Project Name</b>		Client Name	Promkomplekt
		Client Addr.	Moscow
<b>Item NO</b>		Contacts	
		Contact	

