

Horizontal Multistage End-Suction Pumps 50 Hz



Passion for Pumps



Declaration of Conformity

We, **Lubi** hereby declare under our sole responsibility that the products **MH, MHI** and **MHN** to which this declaration relates, are in conformity with these Council Directives on the approximation of the laws of the EC Member States:

- Machinery Directive (98/37/EC).
Standard used: EN ISO 12100.
- Electromagnetic compatibility (89/336/EEC).
Standards used: EN 61000-6-2 and EN 61000-6-3.
- Electrical equipment designed for use within certain voltage limits (73/23/EEC) [95].
Standards used: EN 60335-1: 1994 and EN 60335-2-51: 1997.

Nosotros, **Lubi** declaramos bajo nuestra entera responsabilidad que los productos **MH, MHI** y **MHN** a los cuales se refiere esta declaración, están conformes con las Directivas del Consejo en la aproximación de las leyes de los Estados Miembros del EM:

- Directiva de Maquinaria (98/37/CE).
Norma aplicada: EN ISO 12100.
- Compatibilidad electromagnética (89/336/CEE).
Normas aplicadas: EN 61000-6-2 y EN 61000-6-3.
- Material eléctrico destinado a utilizarse con determinadas límites de tensión (73/23/CEE) [95].
Normas aplicadas: EN 60335-1: 1994 y EN 60335-2-51: 1997.

Nous, **Lubi** déclarons sous notre seule responsabilité, que les produits **MH, MHI** et **MHN**, auxquels se réfère cette déclaration, sont conformes aux Directives du Conseil concernant le rapprochement des législations des Etats membres CE relatives aux normes énoncées cidessous:

- Directive Machines (98/37/CE).
Standard utilisé: EN ISO 12100.
- Compatibilité électromagnétique (89/336/CEE).
Standards utilisés: EN 61000-6-2 et EN 61000-6-3.
- Matériel électrique destiné à employer dans certaines limites de tension (73/23/CEE) [95].
Standards utilisés: EN 60335-1: 1994 et EN 60335-2-51: 1997.

J.J. Amin

Technical Director



Contents

Horizontal multistage end-suction pumps

MH, MHI, MHN

Product data

| | |
|-----------------------|---|
| Introduction | 4 |
| Applications | 4 |
| Features and benefits | 4 |
| Pumped liquids | 4 |
| Operating conditions | 4 |
| Pump | 4 |
| Motor | 5 |
| Type keys | 5 |
| Performance range | 5 |

Construction

| | |
|-------------------|---|
| Sectional drawing | 6 |
|-------------------|---|

Performance curves/technical data

| | |
|-----------------|----|
| MH, MHI, MHN 2 | 8 |
| MH, MHI, MHN 4 | 10 |
| MH, MHI, MHN 10 | 12 |
| MH, MHI, MHN 15 | 14 |
| MH, MHI, MHN 25 | 16 |

Product data

Horizontal multistage end-suction pumps

MH, MHI, MHN

Introduction

The Lubi MH, MHI and MHN pumps are non-self priming, horizontal, multistage, centrifugal pumps.

Motor and pump are close coupled in a convenient and compact design for quick installation in limited space.

The pump is fitted with a maintenance-free, mechanical shaft seal.

The pumps have axial suction port and radial discharge port and are mounted on a base plate.

These pumps are available in three basic versions.

- **MH:** Pump stages as well as all moving parts in contact with the pumped liquid are made of stainless steel AISI 304. Discharge casing and suction casing are Grey Iron. Base plate is made of steel. All Grey Iron parts and base plate are CED coated for rust & corrosion prevention.
- **MHI:** Discharge casing, suction casing as well as all parts in contact with the pumped liquid are made of stainless steel AISI 304.
- **MHN:** Discharge casing, suction casing as well as all parts in contact with the pumped liquid are made of stainless steel AISI 316.

The pump is CE marked.

Applications

The MH, MHI and MHN pumps are designed for small domestic and industrial water supply systems.

Applications include

- Liquid transfer and circulation of liquids within light industry and farming.
- Pressure boosting in single-pump and multi-pump booster systems.
- Domestic water supply.
- Cooling systems.
- Air-conditioning systems.
- Washing and cleaning systems.
- Water treatment.

Features and benefits

Following are the main features and benefits offered by the MH, MHI and MHN pumps.

- Compact design
- Reliable and robust construction
- Energy-optimised pumps
- Easy and simple installation
- User-friendly operation
- Low noise level
- Reliable water supply.

Pumped liquids

MH:

Thin, clean, non-aggressive and non-explosive liquids without solid particles or fibers.

MHI:

Thin, clean, slightly aggressive and non-explosive liquids without solid particles or fibers.

MHN:

Thin, clean, aggressive and non-explosive liquids without solid particles or fibers.

Operating conditions

| | |
|---------------------------|------------------------------|
| Flow range | : 0.5 - 28 m ³ /h |
| Head range | : Up to 77 metres |
| Ambient temperature | : Max. +55°C |
| Liquid temperature range: | 0°C to +90°C |

The maximum operating pressure depends on the temperature of the pumped liquid, see the table below:

| Pump type | Maximum operating pressure | |
|----------------------------------|----------------------------|-----------------|
| | 1 Mpa (10 bar) | 0.6 Mpa (6 bar) |
| Temperature of the pumped liquid | | |
| MH 2, MHI 2, MHN 2 | 0°C to +40°C | +41°C to +90°C |
| MH 4, MHI 4, MHN 4 | 0°C to +40°C | +41°C to +90°C |
| MH 10, MHI 10, MHN 10 | 0°C to +40°C | +41°C to +90°C |
| MH 15, MHI 15, MHN 15 | 0°C to +40°C | +41°C to +90°C |
| MH 25, MHI 25, MHN 25 | 0°C to +40°C | +41°C to +90°C |

Min. inlet pressure : According to the NPSH curve + a safety margin of 1.0 metres.

Max. inlet pressure : Limited by the maximum operating pressure.

Pump

The MH, MHI, MHN pumps are non-self priming, horizontal, multistage, centrifugal pumps fitted with a mechanical shaft seal. The pumps have axial suction port and radial discharge port and are mounted on a base plate.

For pipe connections, see the table below:

| Connections | MH 2, MHI 2, MHN 2 | MH 4, MHI 4, MHN 4 | MH 10, MHI 10, MHN 10 | MH 15 MHI 15, MHN 15 | MH 25, MHI 25, MHN 25 |
|--------------------------|--------------------------|--------------------------|-----------------------------|----------------------------|-----------------------------|
| | Axial suction port | Rp 1 | Rp 1¼ | Rp 1½ | Rp 2 |
| Radial discharge port | Rp 1 | Rp 1 | Rp 1½ | Rp 2 | Rp 2 |
| Drain hole, priming hole | Rp 3/8 | Rp 3/8 | Rp 3/8 | Rp 1/2 | Rp 1/2 |



MH 2 & 4

MH 10, 15 & 25

Fig. 1 MH pump

Product data

Horizontal multistage end-suction pumps

MH, MHI, MHN

Motor

The pump is fitted with a totally enclosed, fan-cooled, squirrel-cage induction motor.

Rated speed : 2900 rpm
 Enclosure class : IP 54
 Insulation class : F
 Standard voltages: 0.37 - 1.1 kW: 1 x 220-240 V
 0.37 - 3.7 kW: 3 x 220-240/380-415 V
 Supply frequency : 50 Hz

Single-phase motors have built-in thermal overload protection.

Three-phase motors must be connected to a motor starter according to local regulations.

Type keys

MH, MHI, MHN

Example MH 2 -20

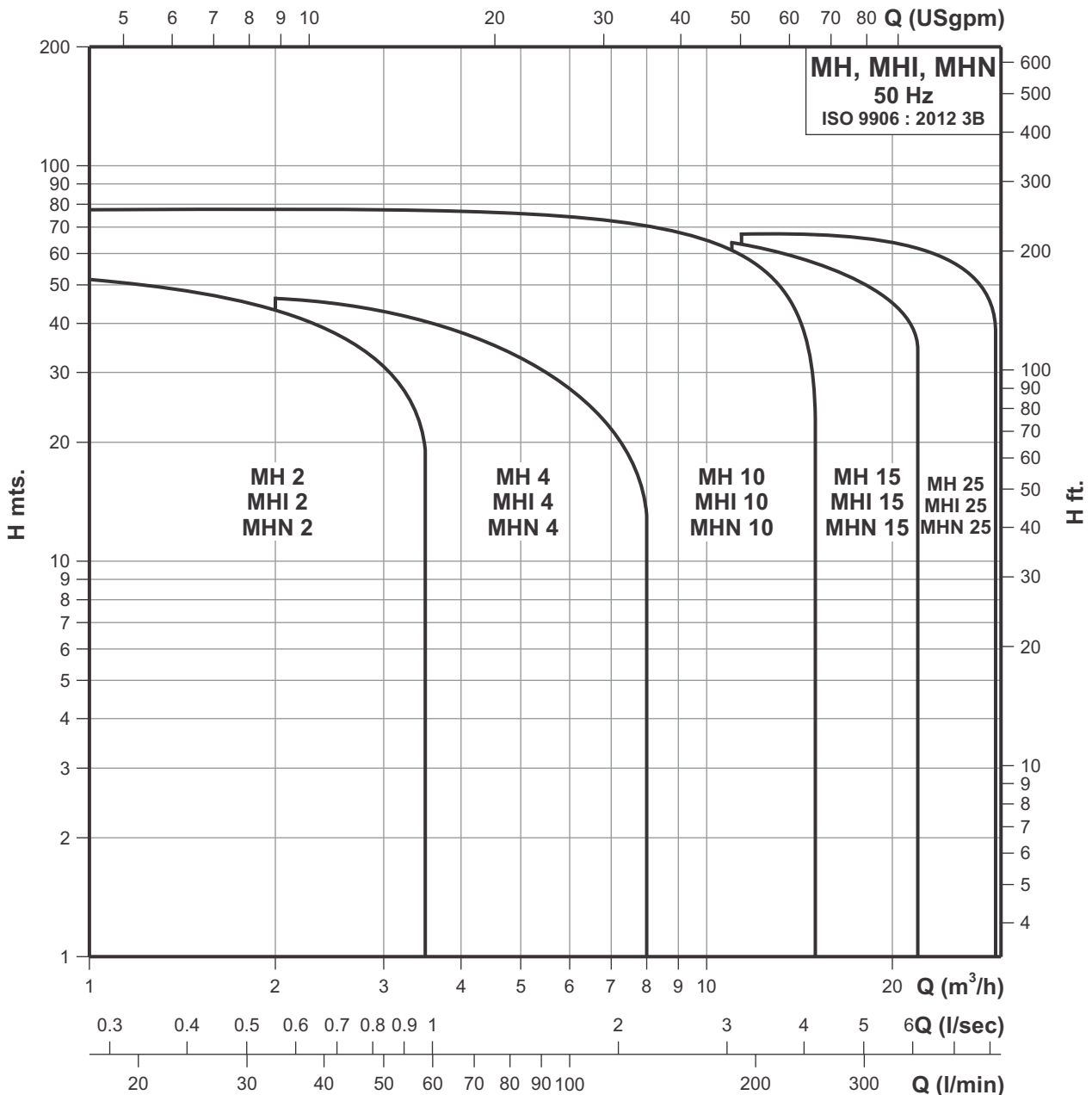
Type range: MH, MHI, MHN

Rated flow rate [m³/h]

Code for nos. of stages

- 10 = 1 stage
- 20 = 2 stage
- 30 = 3 stage
- 40 = 4 stage
- 50 = 5 stage
- 60 = 6 stage

Performance range



Construction

Horizontal multistage end-suction pumps

MH, MHI, MHN

Sectional drawing

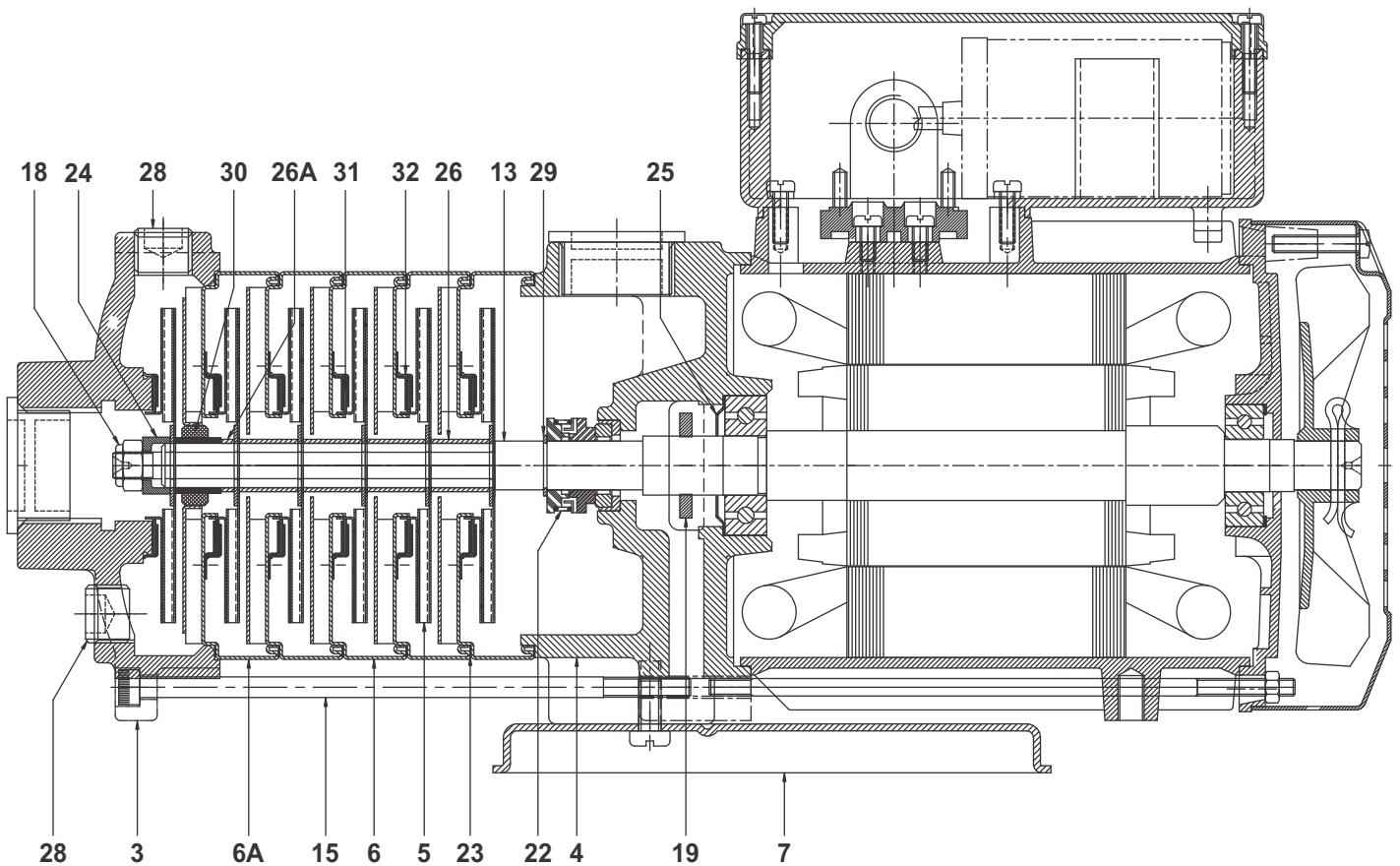


Fig. 2 MH, MHI, MHN 2 and 4 pump

Materials

| Pos. | Component | Material | | |
|------|---------------------------|--------------------------|--------------------------|--------------------------|
| | | MH | MHI | MHN |
| 3 | Suction casing | Cast iron ASTM 30B | Stainless steel CF 8 | Stainless steel CF 8M |
| 4 | Discharge casing | Cast iron ASTM 30B | Stainless steel CF 8 | Stainless steel CF 8M |
| 5 | Impeller | Stainless steel AISI 304 | Stainless steel AISI 304 | Stainless steel AISI 316 |
| 6 | Stage casing | Stainless steel AISI 304 | Stainless steel AISI 304 | Stainless steel AISI 316 |
| 6A | Stage casing with bearing | Stainless steel AISI 304 | Stainless steel AISI 304 | Stainless steel AISI 316 |
| 7 | Base plate | Steel | Steel | Steel |
| 13 | Pump shaft | Stainless steel AISI 304 | Stainless steel AISI 304 | Stainless steel AISI 316 |
| 15 | Pump fitting stud | Stainless steel AISI 304 | Stainless steel AISI 304 | Stainless steel AISI 304 |
| 18 | Impeller lock nut | Stainless steel AISI 304 | Stainless steel AISI 304 | Stainless steel AISI 316 |
| 19 | Water thrower | NBR | NBR | NBR |
| 22 | Mechanical shaft seal | Carbon/Ceramic/NBR | Carbon/Ceramic/NBR | Carbon/Ceramic/NBR |
| 23 | Stage casing packing | C.A.F | C.A.F | C.A.F |
| 24 | Impeller lock bush | Stainless steel AISI 304 | Stainless steel AISI 304 | Stainless steel AISI 316 |
| 25 | Bearing washer | Steel | Steel | Steel |
| 26 | Impeller support bush | Stainless steel AISI 304 | Stainless steel AISI 304 | Stainless steel AISI 316 |
| 26A | Impeller support bush | Stainless steel AISI 304 | Stainless steel AISI 304 | Stainless steel AISI 316 |
| 28 | Water filling plug | Steel | Stainless steel AISI 304 | Stainless steel AISI 316 |
| 29 | Circlip | Stainless steel AISI 316 | Stainless steel AISI 316 | Stainless steel AISI 316 |
| 30 | Bearing | - | - | - |
| 31 | Neck ring | PTFE | PTFE | PTFE |
| 32 | Neck ring retainer | Stainless steel AISI 304 | Stainless steel AISI 304 | Stainless steel AISI 316 |

Construction

Horizontal multistage end-suction pumps

MH, MHI, MHN

Sectional drawing

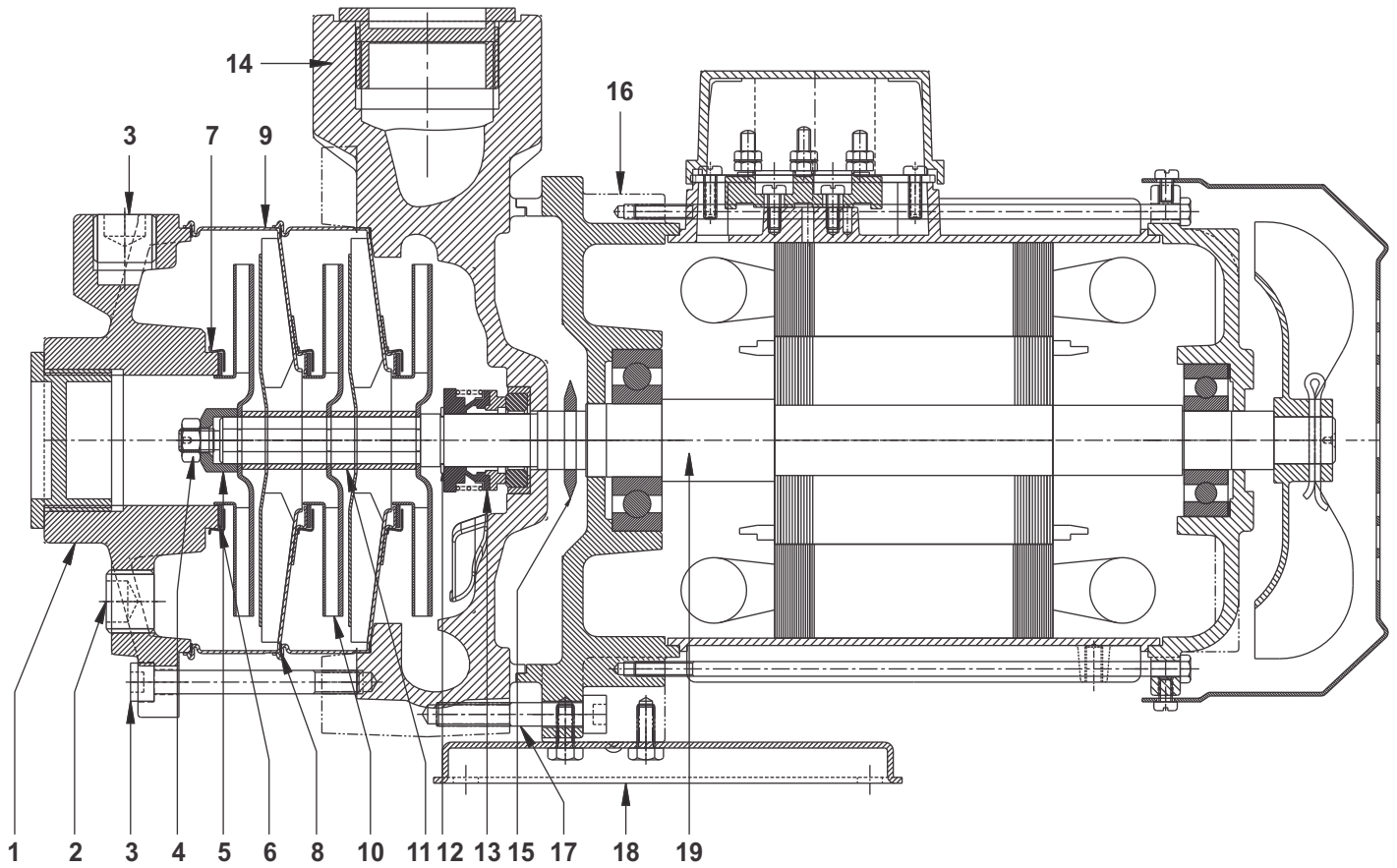


Fig. 3 MH, MHI, MHN 10,15 & 25 pump

Materials

| Pos. | Component | Material | | |
|------|----------------------------|--------------------------|--------------------------|--------------------------|
| | | MH | MHI | MHN |
| 1 | Suction chamber | Cast iron ASTM 30B | Stainless steel CF 8 | Stainless steel CF 8M |
| 2 | Water filling & drain plug | Steel | Steel | Steel |
| 3 | Pump fitting stud | Stainless steel AISI 304 | Stainless steel AISI 304 | Stainless steel AISI 304 |
| 4 | Impeller lock nut | Stainless steel AISI 304 | Stainless steel AISI 304 | Stainless steel AISI 316 |
| 5 | Impeller lock bush | Stainless steel AISI 304 | Stainless steel AISI 304 | Stainless steel AISI 316 |
| 6 | Neck ring | PTFE | PTFE | PTFE |
| 7 | Neck ring retainer | Stainless steel AISI 304 | Stainless steel AISI 304 | Stainless steel AISI 316 |
| 8 | Stage casing packing | C.A.F | C.A.F | C.A.F |
| 9 | Stage casing | Stainless steel AISI 304 | Stainless steel AISI 304 | Stainless steel AISI 316 |
| 10 | Impeller | Stainless steel AISI 304 | Stainless steel AISI 304 | Stainless steel AISI 316 |
| 11 | Impeller support bush | Stainless steel AISI 304 | Stainless steel AISI 304 | Stainless steel AISI 316 |
| 12 | Circlip | Stainless steel AISI 316 | Stainless steel AISI 316 | Stainless steel AISI 316 |
| 13 | Mechanical shaft seal | Carbon/Ceramic/NBR | Carbon/Ceramic/NBR | Carbon/Ceramic/NBR |
| 14 | Volute | Cast iron ASTM 30B | Stainless steel CF 8 | Stainless steel CF 8M |
| 15 | Water thrower | NBR | NBR | NBR |
| 16 | Adaptor | Cast iron ASTM 30B | Stainless steel CF 8 | Stainless steel CF 8M |
| 17 | Adaptor joint stud | Stainless steel AISI 304 | Stainless steel AISI 304 | Stainless steel AISI 304 |
| 18 | Base plate | Steel | Steel | Steel |
| 19 | Pump shaft | Stainless steel AISI 304 | Stainless steel AISI 304 | Stainless steel AISI 316 |

Technical data

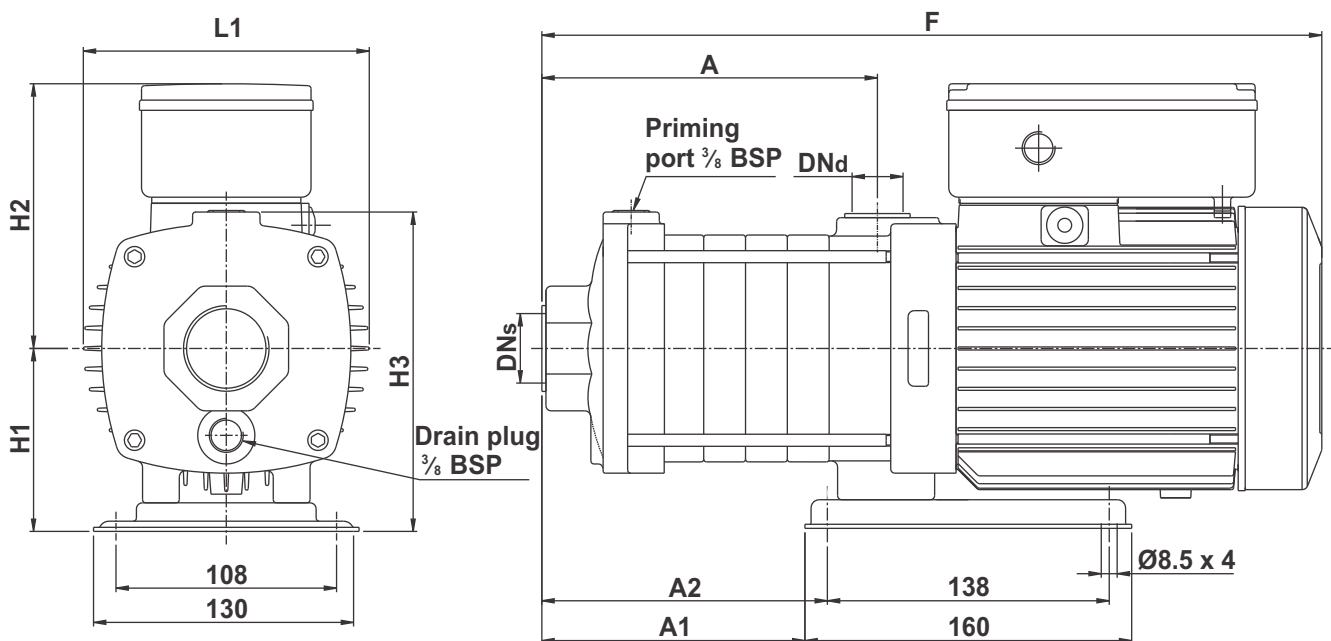
Horizontal multistage end-suction pumps

MH, MHI, MHN 2

Performance chart

| Pump type | kW | HP | Voltage [V] | | Q l/min m ³ /h | n = 2900 rpm | | | | | |
|-------------------|------|------|--------------|-------------|---------------------------------|--------------|------|------|------|------|------|
| | | | Single phase | Three phase | | 26.7 | 33.3 | 40.0 | 46.7 | 53.3 | 58.3 |
| | | | | | | 1.6 | 2.0 | 2.4 | 2.8 | 3.2 | 3.5 |
| MH, MHI, MHN 2-20 | 0.37 | 0.50 | 230 | 400 | H mts. | 16 | 15 | 14 | 12 | 10 | 9 |
| MH, MHI, MHN 2-30 | 0.55 | 0.75 | 230 | 400 | | 24 | 22 | 21 | 18 | 16 | 14 |
| MH, MHI, MHN 2-40 | 0.55 | 0.75 | 230 | 400 | | 32 | 29 | 27 | 24 | 20 | 18 |
| MH, MHI, MHN 2-50 | 0.75 | 1.00 | 230 | 400 | | 39 | 36 | 33 | 29 | 24 | 20 |
| MH, MHI, MHN 2-60 | 0.75 | 1.00 | 230 | 400 | | 47 | 43 | 39 | 34 | 29 | 25 |

Dimensional sketches



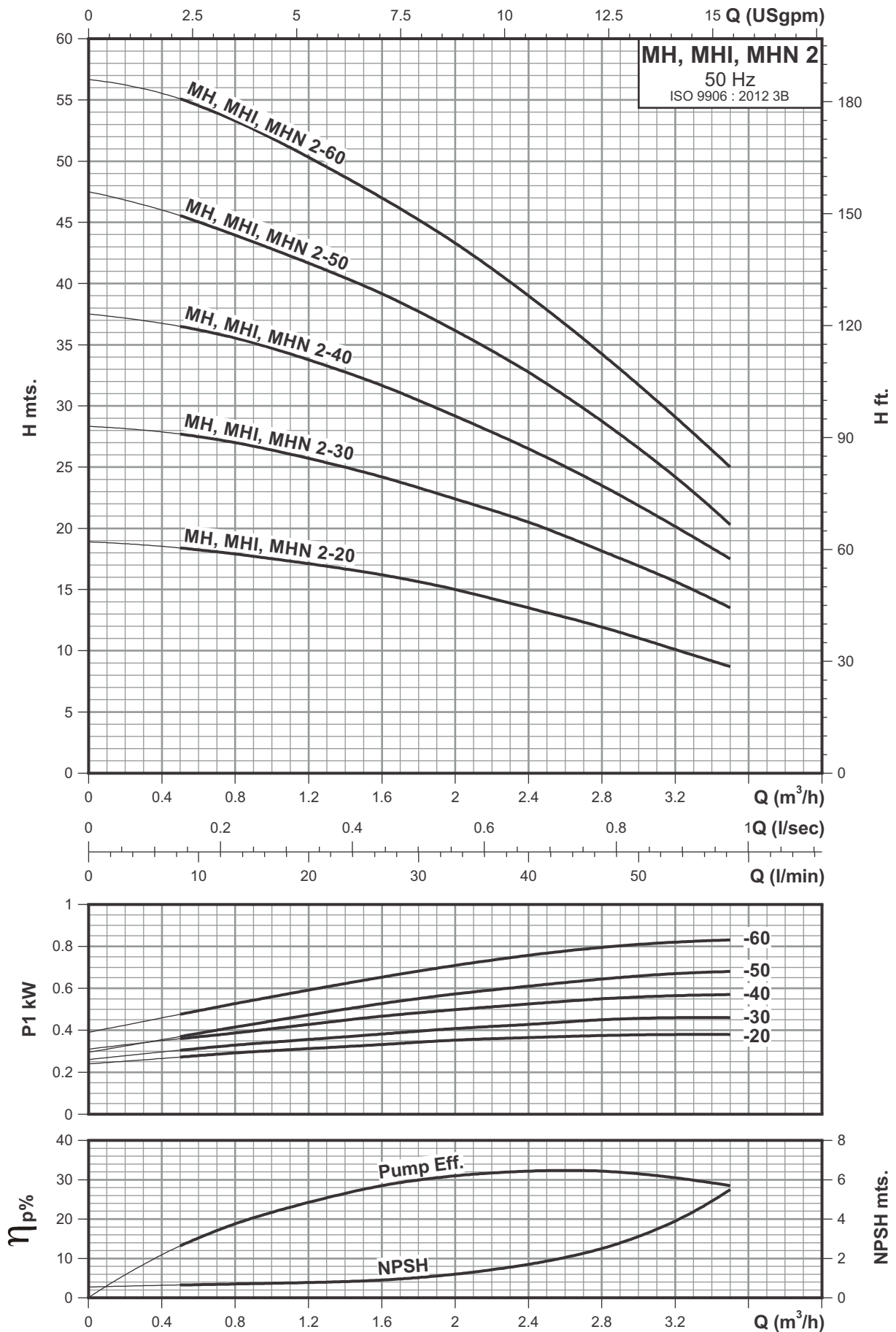
Dimensions & weights of MH, MHI, MHN pump

| Pump type | Frame size | DNs BSP | DNd BSP | Dimensions [mm] | | | | | | | | Net weight [kg] | Gross weight [kg] | Gross volume [m ³] |
|-------------------|------------|---------|---------|-----------------|----|-----|-----|-----|-----|-----|-----|-----------------|-------------------|--------------------------------|
| | | | | F | H1 | H2 | H3 | A | A1 | A2 | L1 | | | |
| MH, MHI, MHN 2-20 | 71 | 1" | 1" | 324 | 88 | 130 | 155 | 102 | 66 | 77 | 140 | 10.5 | 11.5 | 0.0140 |
| MH, MHI, MHN 2-30 | 71 | 1" | 1" | 342 | 88 | 130 | 155 | 120 | 85 | 96 | 140 | 10.9 | 11.8 | 0.0140 |
| MH, MHI, MHN 2-40 | 71 | 1" | 1" | 361 | 88 | 130 | 155 | 139 | 103 | 114 | 140 | 10.8 | 12.0 | 0.0140 |
| MH, MHI, MHN 2-50 | 71 | 1" | 1" | 379 | 88 | 130 | 155 | 157 | 121 | 132 | 140 | 11.0 | 12.5 | 0.0150 |
| MH, MHI, MHN 2-60 | 71 | 1" | 1" | 397 | 88 | 130 | 155 | 175 | 140 | 151 | 140 | 11.3 | 13.0 | 0.0150 |

Performance curves

Horizontal multistage end-suction pumps

MH, MHI, MHN 2



Technical data

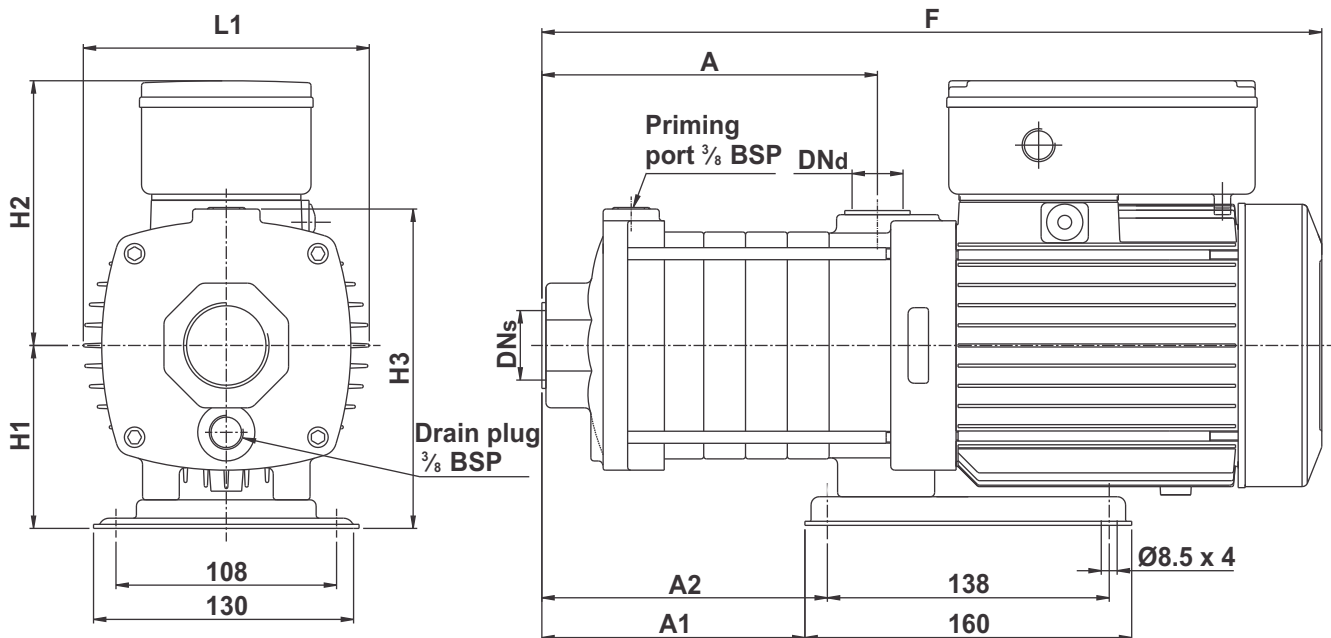
Horizontal multistage end-suction pumps

MH, MHI, MHN 4

Performance chart

| Pump type | kW | HP | Voltage [V] | | Q l/min m ³ /h | n = 2900 rpm | | | | | |
|-------------------|------|------|--------------|-------------|---------------------------------|--------------|------|------|-------|-------|-------|
| | | | Single phase | Three phase | | 33.3 | 66.7 | 83.3 | 100.0 | 116.7 | 133.3 |
| | | | | | | 2.0 | 4.0 | 5.0 | 6.0 | 7.0 | 8.0 |
| MH, MHI, MHN 4-20 | 0.37 | 0.50 | 230 | 400 | H mts. | 15 | 12 | 11 | 9 | 7 | 5 |
| MH, MHI, MHN 4-30 | 0.55 | 0.75 | 230 | 400 | | 23 | 19 | 17 | 14 | 11 | 8 |
| MH, MHI, MHN 4-40 | 0.75 | 1.00 | 230 | 400 | | 30 | 24 | 21 | 17 | 13 | 9 |
| MH, MHI, MHN 4-50 | 0.93 | 1.25 | 230 | 400 | | 39 | 33 | 29 | 24 | 19 | 14 |
| MH, MHI, MHN 4-60 | 1.10 | 1.50 | 230 | 400 | | 46 | 38 | 33 | 28 | 22 | 16 |

Dimensional sketches



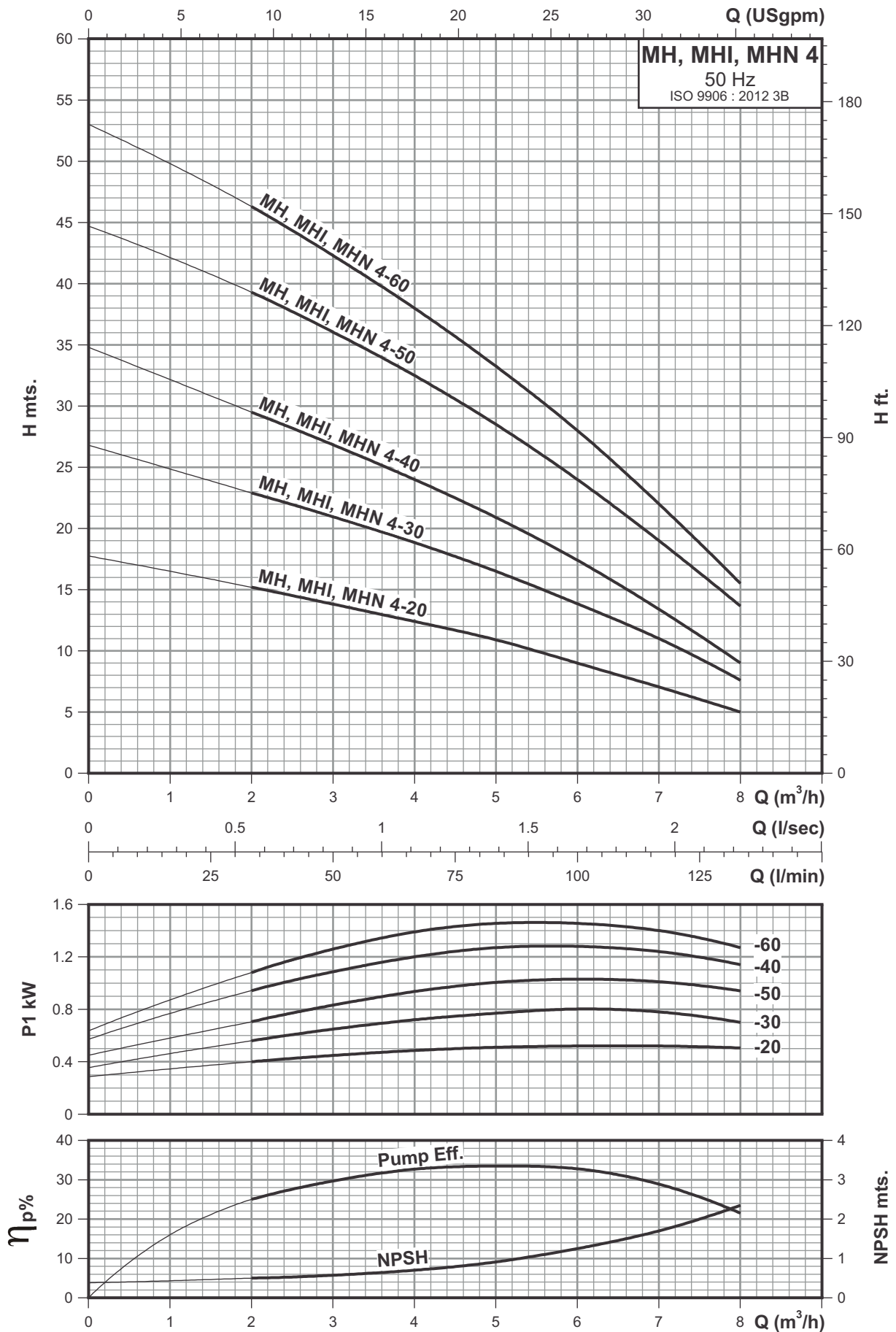
Dimensions & weights of MH, MHI, MHN pump

| Pump type | Frame size | DNs BSP | DNd BSP | Dimensions [mm] | | | | | | | | Net weight [kg] | Gross weight [kg] | Gross volume [m ³] |
|-------------------|------------|---------|---------|-----------------|----|-----|-----|-----|-----|-----|-----|-----------------|-------------------|--------------------------------|
| | | | | F | H1 | H2 | H3 | A | A1 | A2 | L1 | | | |
| MH, MHI, MHN 4-20 | 71 | 1¼" | 1" | 333 | 88 | 130 | 155 | 111 | 75 | 86 | 140 | 11.0 | 12.5 | 0.0150 |
| MH, MHI, MHN 4-30 | 71 | 1¼" | 1" | 356 | 88 | 130 | 155 | 138 | 103 | 114 | 140 | 11.5 | 12.8 | 0.0150 |
| MH, MHI, MHN 4-40 | 71 | 1¼" | 1" | 388 | 88 | 130 | 155 | 166 | 130 | 141 | 140 | 12.5 | 13.5 | 0.0150 |
| MH, MHI, MHN 4-50 | 80 | 1¼" | 1" | 452 | 98 | 146 | 174 | 193 | 154 | 165 | 159 | 16.0 | 17.5 | 0.0180 |
| MH, MHI, MHN 4-60 | 80 | 1¼" | 1" | 479 | 98 | 146 | 174 | 220 | 182 | 193 | 159 | 18.0 | 19.5 | 0.0180 |

Performance curves

Horizontal multistage end-suction pumps

MH, MHI, MHN 4



Technical data

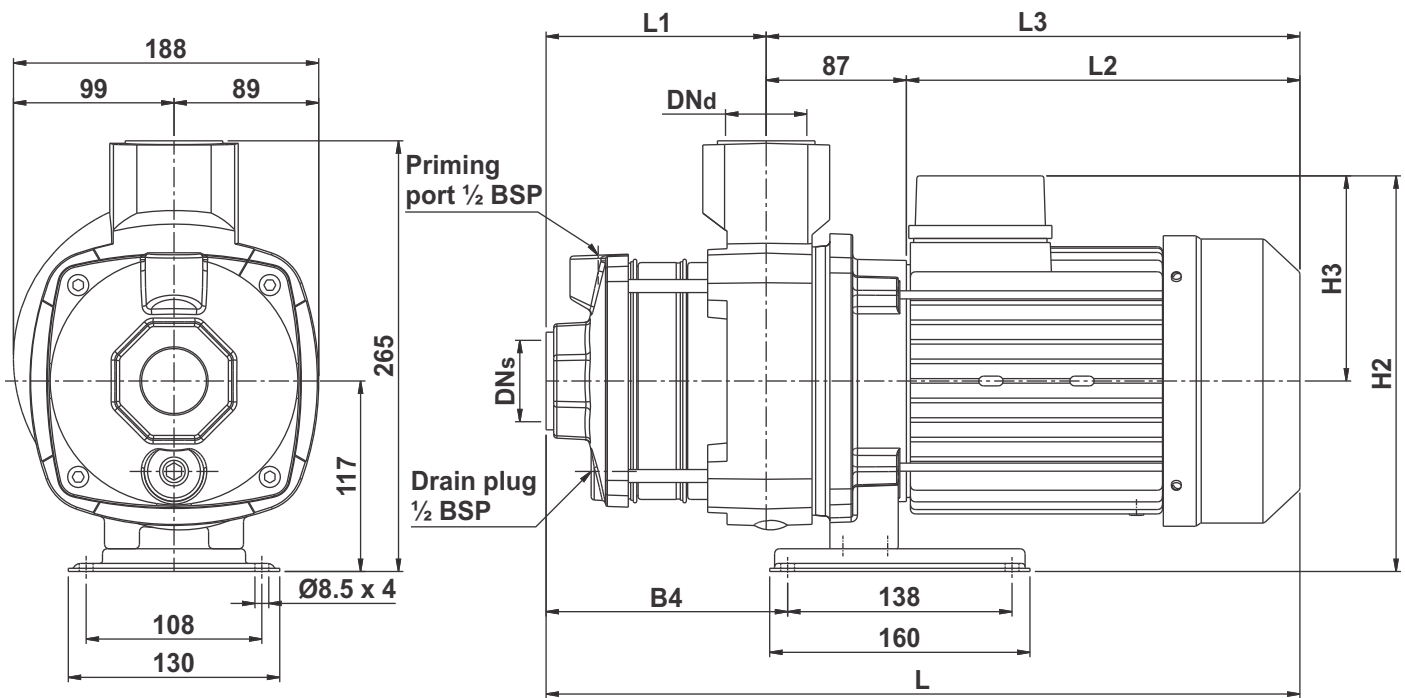
Horizontal multistage end-suction pumps

MH, MHI, MHN 10

Performance chart

| Pump type | kW | HP | Voltage [V] | | Q l/min m ³ /h | n = 2900 rpm | | | | | |
|--------------------|------|------|--------------|-------------|---------------------------------|--------------|-------|-------|-------|-------|-------|
| | | | Single phase | Three phase | | 116.7 | 150.0 | 166.7 | 183.3 | 200.0 | 250.0 |
| | | | | | | 7.0 | 9.0 | 10.0 | 11.0 | 12.0 | 15.0 |
| MH, MHI, MHN 10-10 | 0.55 | 0.75 | 230 | 400 | H mts. | 13 | 12 | 11 | 10 | 9 | 6 |
| MH, MHI, MHN 10-20 | 1.10 | 1.50 | 230 | 400 | | 28 | 26 | 25 | 23 | 21 | 15 |
| MH, MHI, MHN 10-30 | 2.20 | 3.00 | 230 | 400 | | 44 | 40 | 38 | 36 | 33 | 24 |
| MH, MHI, MHN 10-40 | 3.70 | 5.00 | 230 | 400 | | 58 | 54 | 52 | 49 | 45 | 33 |
| MH, MHI, MHN 10-50 | 3.70 | 5.00 | 230 | 400 | | 74 | 69 | 66 | 62 | 57 | 41 |

Dimensional sketches



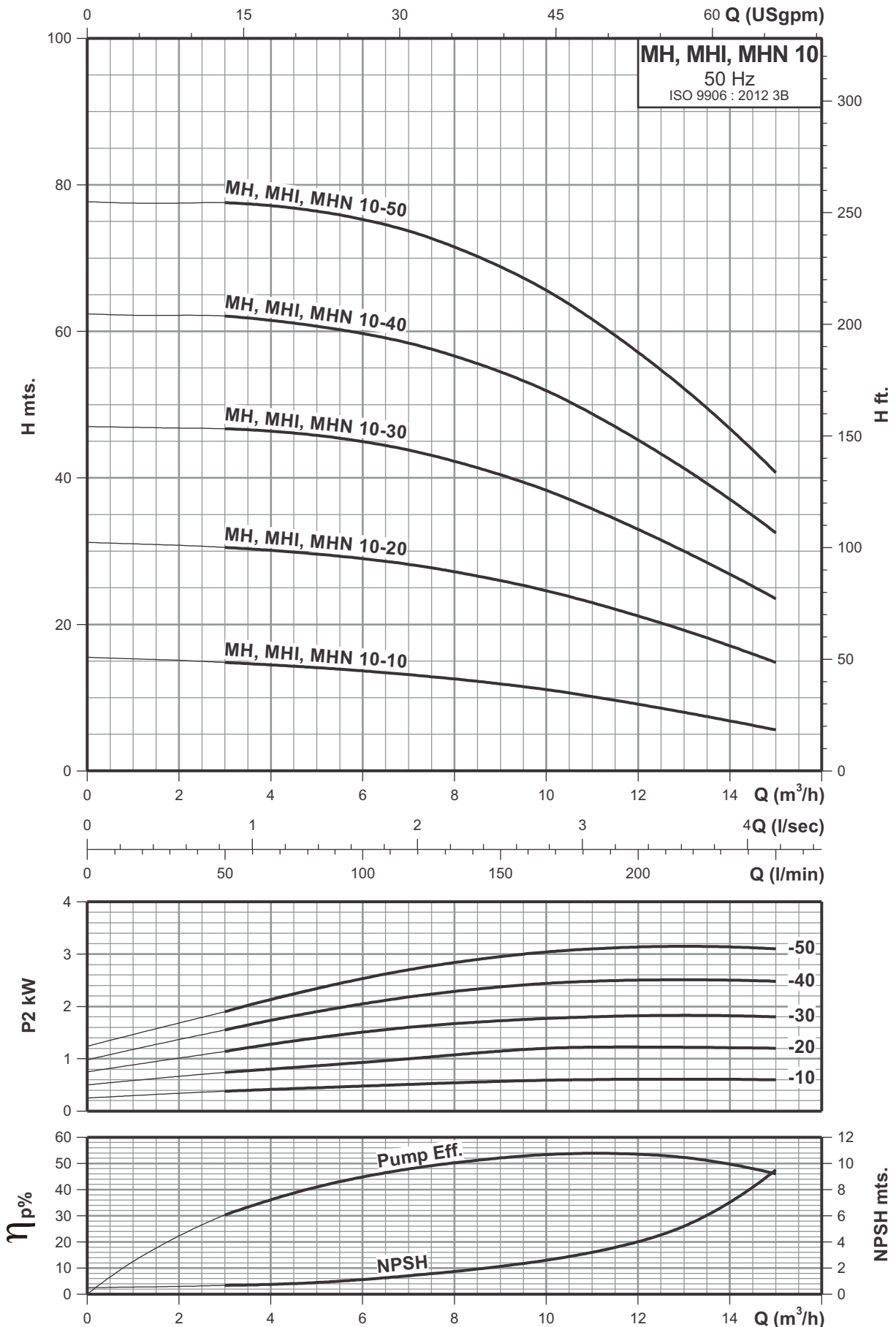
Dimensions & weights of MH, MHI, MHN pump

| Pump type | Frame size | DNs BSP | DNd BSP | Dimensions [mm] | | | | | | | Net weight [kg] | Gross weight [kg] | Gross volume [m ³] |
|--------------------|------------|---------|---------|-----------------|-----|-----|-----|-----|-----|-----|-----------------|-------------------|--------------------------------|
| | | | | H2 | H3 | B4 | L | L1 | L2 | L3 | | | |
| MH, MHI, MHN 10-10 | 71 | 1½" | 1½" | 222 | 105 | 88 | 382 | 75 | 184 | 270 | 22.0 | 24.5 | 0.0210 |
| MH, MHI, MHN 10-20 | 90 | 1½" | 1½" | 253 | 136 | 118 | 412 | 105 | 221 | 307 | 26.0 | 28.5 | 0.0220 |
| MH, MHI, MHN 10-30 | 90 | 1½" | 1½" | 243 | 126 | 149 | 464 | 136 | 242 | 329 | 37.0 | 39.5 | 0.0250 |
| MH, MHI, MHN 10-40 | 100 | 1½" | 1½" | 256 | 139 | 179 | 538 | 166 | 258 | 372 | 40.0 | 42.5 | 0.0290 |
| MH, MHI, MHN 10-50 | 100 | 1½" | 1½" | 256 | 139 | 210 | 568 | 197 | 258 | 372 | 41.0 | 43.5 | 0.0310 |

Performance curves

Horizontal multistage end-suction pumps

MH, MHI, MHN 10



Technical data

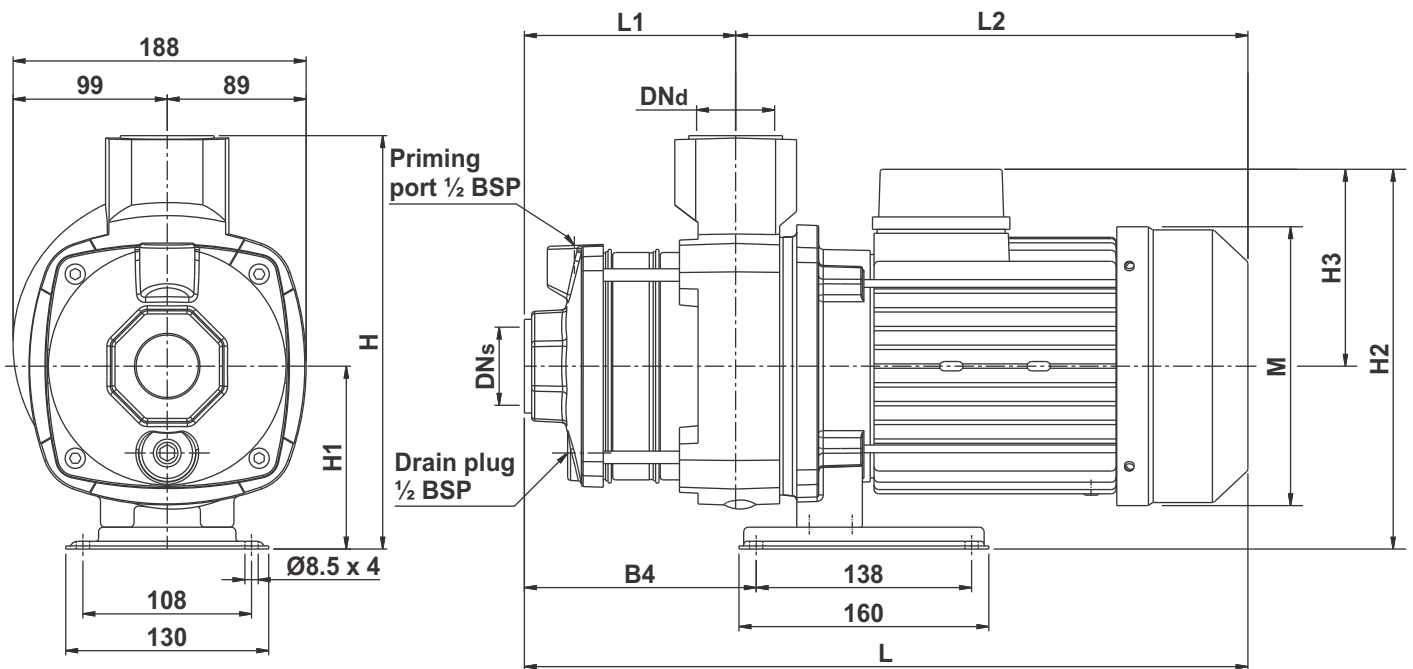
Horizontal multistage end-suction pumps

MH, MHI, MHN 15

Performance chart

| Pump type | kW | HP | Voltage [V] | | Q l/min m ³ /h | n = 2900 rpm | | | | | |
|--------------------|------|------|--------------|-------------|---------------------------------|--------------|-------|-------|-------|-------|-------|
| | | | Single phase | Three phase | | 113.3 | 166.7 | 216.7 | 250.0 | 300.0 | 333.3 |
| | | | | | | 8.0 | 10.0 | 13.0 | 15.0 | 18.0 | 20.0 |
| MH, MHI, MHN 15-10 | 1.10 | 2.00 | 230 | 400 | H mts. | 16.0 | 15.5 | 15.0 | 14.0 | 12.0 | 10.0 |
| MH, MHI, MHN 15-20 | 2.20 | 3.00 | 230 | 400 | | 33.0 | 32.0 | 30.0 | 28.5 | 26.0 | 23.5 |
| MH, MHI, MHN 15-30 | 4.00 | 5.50 | - | 400 | | 49.0 | 47.5 | 45.5 | 43.0 | 39.0 | 36.0 |
| MH, MHI, MHN 15-40 | 5.50 | 7.50 | - | 400 | | 65.0 | 64.0 | 61.0 | 57.5 | 52.0 | 47.5 |

Dimensional sketches



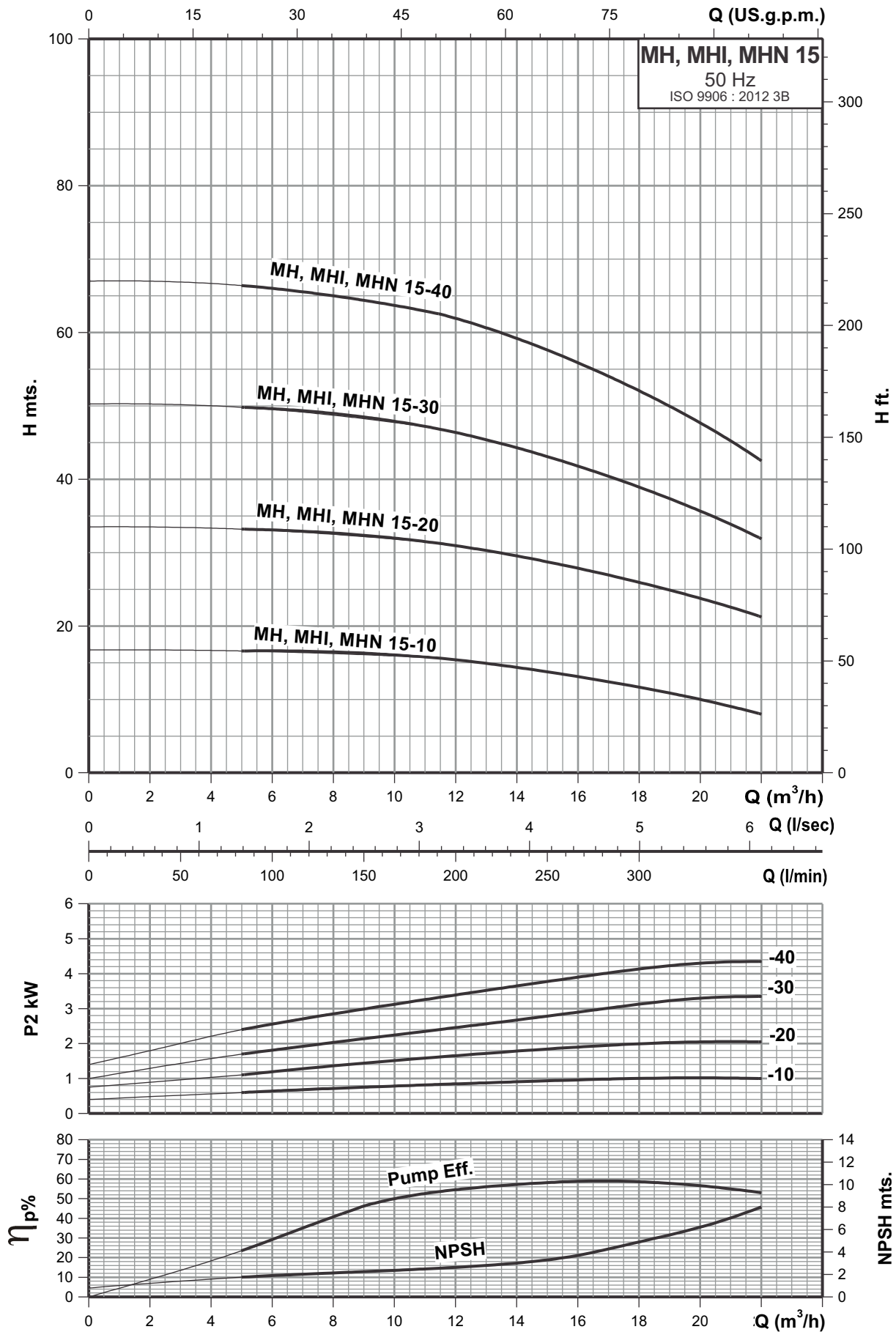
Dimensions & weights of MH, MHI, MHN pump

| Pump type | Frame size | DNs BSP | DNd BSP | Dimensions [mm] | | | | | | | | | Net weight [kg] | Gross weight [kg] | Gross volume [m ³] |
|--------------------|------------|---------|---------|-----------------|-----|-----|-----|-----|-----|-----|-----|-----|-----------------|-------------------|--------------------------------|
| | | | | H | H1 | H2 | H3 | B4 | L | L1 | L2 | M | | | |
| MH, MHI, MHN 15-10 | 90 | 2" | 2" | 261 | 116 | 242 | 126 | 84 | 399 | 71 | 328 | 179 | 26.6 | 29.0 | 0.101 |
| MH, MHI, MHN 15-20 | 90 | 2" | 2" | 261 | 116 | 242 | 126 | 114 | 429 | 101 | 328 | 179 | 29.6 | 35.5 | 0.108 |
| MH, MHI, MHN 15-30 | 112 | 2" | 2" | 271 | 125 | 274 | 195 | 145 | 539 | 128 | 412 | 219 | 46.1 | 56.0 | 0.160 |
| MH, MHI, MHN 15-40 | 132 | 2" | 2" | 291 | 145 | 325 | 180 | 175 | 654 | 158 | 496 | 262 | 63.2 | 95.0 | 0.232 |

Performance curves

Horizontal multistage end-suction pumps

MH, MHI, MHN 15



Technical data

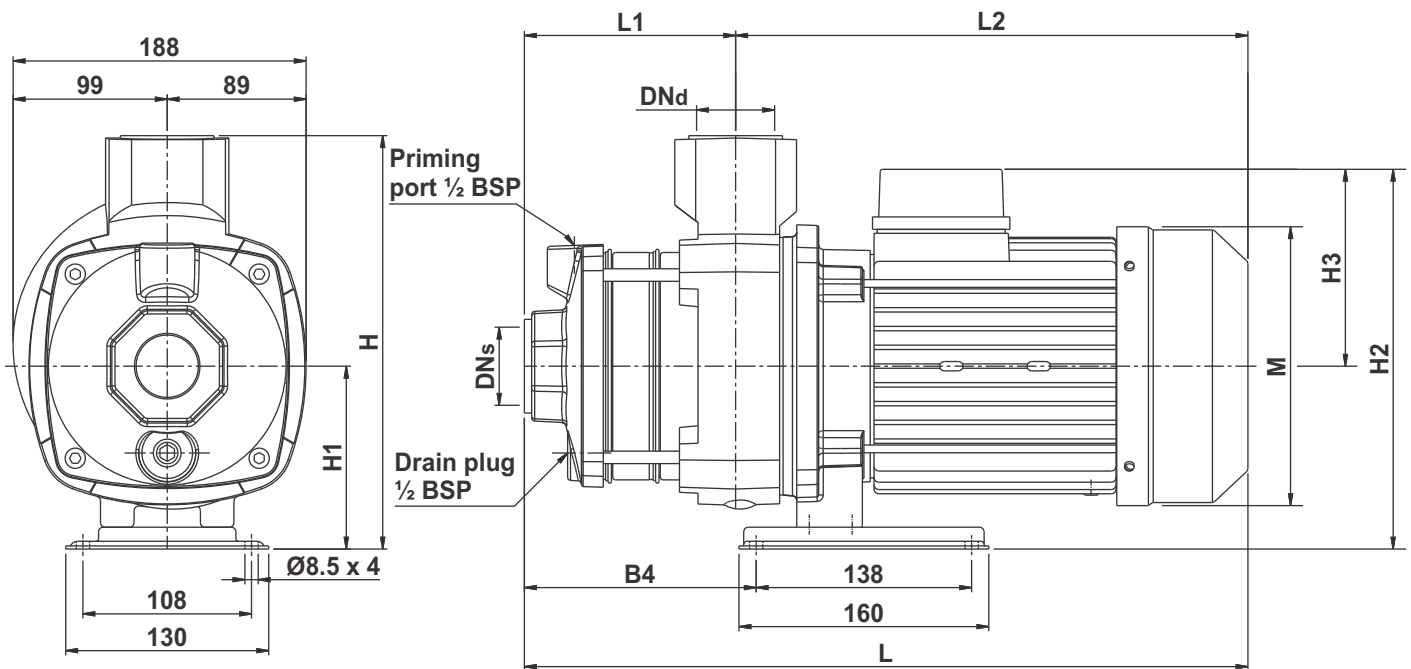
Horizontal multistage end-suction pumps

MH, MHI, MHN 25

Performance chart

| Pump type | kW | HP | Voltage [V] | | Q l/min m ³ /h | n = 2900 rpm | | | | | |
|--------------------|------|-------|--------------|-------------|---------------------------------|--------------|-------|-------|-------|-------|-------|
| | | | Single phase | Three phase | | 166.7 | 233.3 | 300.0 | 366.7 | 416.7 | 466.7 |
| | | | | | | 10 | 14 | 18 | 22 | 25 | 28 |
| MH, MHI, MHN 25-10 | 2.20 | 3.00 | 230 | 400 | H mts. | 16.5 | 16.0 | 15.5 | 15.0 | 13.0 | 11.5 |
| MH, MHI, MHN 25-20 | 4.00 | 5.50 | - | 400 | | 33.5 | 33.0 | 32.5 | 31.0 | 28.5 | 26.0 |
| MH, MHI, MHN 25-30 | 5.50 | 7.50 | - | 400 | | 49.5 | 49.0 | 48.5 | 46.5 | 43.0 | 38.0 |
| MH, MHI, MHN 25-40 | 7.50 | 10.00 | - | 400 | | 66.5 | 66.0 | 65.0 | 62.0 | 57.5 | 52.0 |

Dimensional sketches



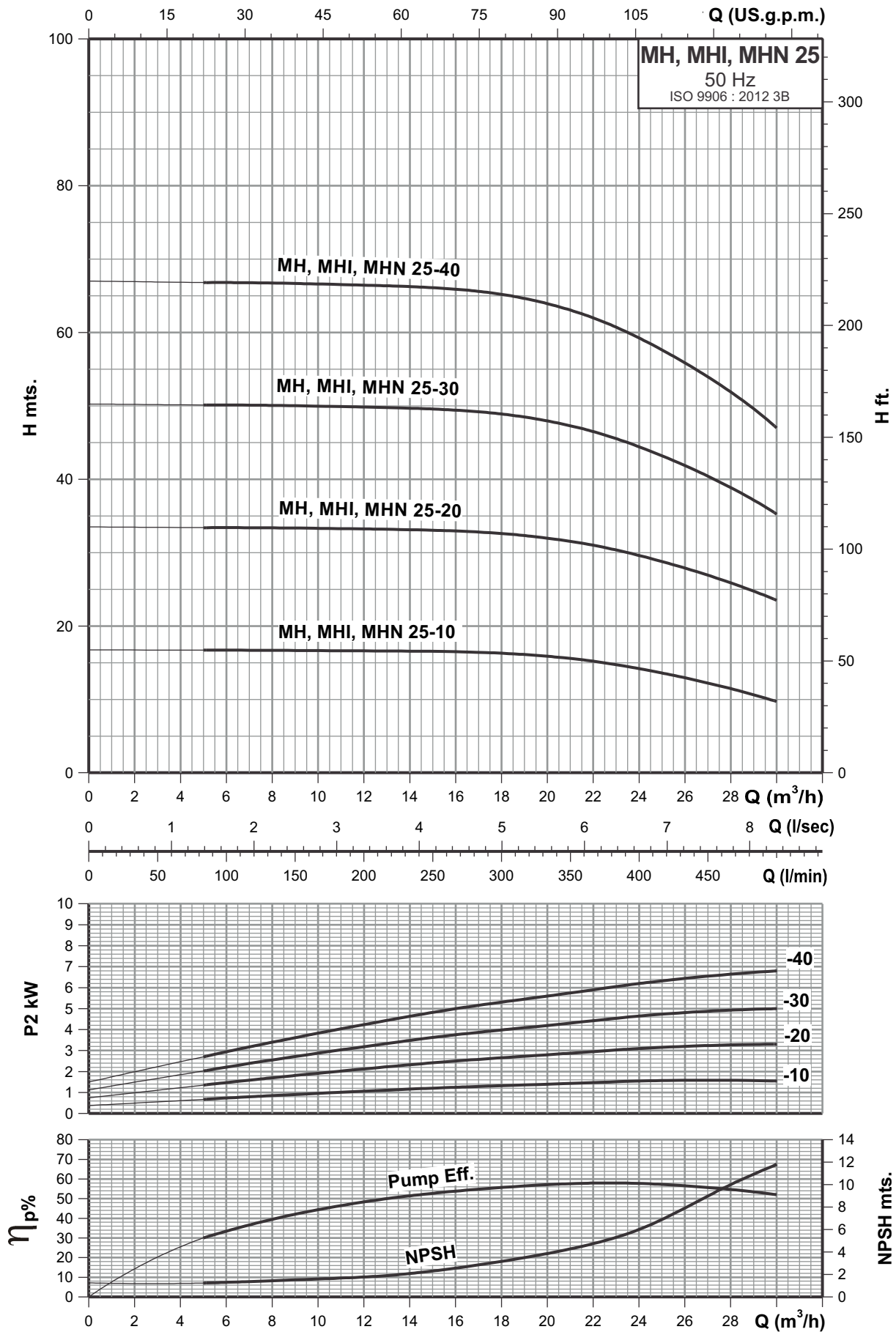
Dimensions & weights of MH, MHI, MHN pump

| Pump type | Frame size | DNs BSP | DNd BSP | Dimensions [mm] | | | | | | | | | Net weight [kg] | Gross weight [kg] | Gross volume [m ³] |
|--------------------|------------|------------|------------|-----------------|-----|-----|-----|-----|-----|-----|-----|-----|-----------------|-------------------|--------------------------------|
| | | | | H | H1 | H2 | H3 | B4 | L | L1 | L2 | M | | | |
| MH, MHI, MHN 25-10 | 90 | 2" | 2" | 261 | 116 | 242 | 126 | 84 | 399 | 71 | 328 | 179 | 29.50 | 32.5 | 0.101 |
| MH, MHI, MHN 25-20 | 112 | 2" | 2" | 271 | 125 | 274 | 195 | 114 | 509 | 97 | 412 | 219 | 45.00 | 55.0 | 0.151 |
| MH, MHI, MHN 25-30 | 132 | 2" | 2" | 291 | 145 | 325 | 180 | 144 | 623 | 128 | 496 | 262 | 62.60 | 103.0 | 0.236 |
| MH, MHI, MHN 25-40 | 132 | 2" | 2" | 291 | 145 | 325 | 180 | 175 | 654 | 158 | 496 | 262 | 67.19 | 106.0 | 0.247 |

Performance curves

Horizontal multistage end-suction pumps

MH, MHI, MHN 25



LUBI INDUSTRIES LLP

Near Kalyan Mills, Naroda Road, Ahmedabad-380 025, INDIA.
Phone : +91 - 79 - 61700100, Fax No. :+91 - 79 - 61700399.

Sales Enquiries: indsales@lubipumps.com, expsales@lubipumps.com

www.lubipumps.com

Product Improvement is a continuous process at 'LUBI'. The data given in this publication is therefore subject to revision.

03.00.200916.0036



Toll Free Service Hotline for India : 1800 419 3055