


hydroo [®]	Product Information VDROO45-70	Manufacturer	Hydroo
		Address	
		Contact	34 972 394 654
		Date	2024/04/16
Project Name		Client Name	
		Client Addr.	
Item NO		Contacts	
		Contact	

Part NO.	VD45-70R 3000 T 4069 5 2 IE3
----------	------------------------------

Product Picture: (Note: Images may not be the same as the product)	Note
	<p>VDROO is a new series of vertical multistage centrifugal pumps made by Hydroo. It includes different versions: VF, VX, VN and VD and their corresponding pumps sets with motor and with variable frequency drivers.</p> <p>VDROO range has been designed to meet the highest demanding in pumping installations. It has been designed, engineered, industrialized and finally, is being produced in the main factory of Hydroo in Palol de Revardit, Catalonia-Spain.</p>

Nameplate parameters

Flow	45 m ³ /h
Head	135 m
Efficiency	69.8 %
Speed	2900 rpm
Number of stages	7

Rated parameters

Min. Flow (m ³ /h)	25
Max. Flow (m ³ /h)	55
Max. Efficiency (%)	75
MEI	≥ 0,7
Pump Weight (kg)	320

MATERIAL

Impeller/Diffuser/Casing	AISI 904
Rubber code	F
Inlet & Outlet chamber	SS2205

INSTALLATION

Connection Code	R
Connection type	Threaded Round flange
Max. pressure (bar)	30
Low/High Temperature (°C)	-15 / 120
Pressure rating	PN25-40
Inlet & Outlet Connection size	DN80
Max. Environment temperature (°C)	40

MOTOR

Number of Motor Phases	3~
Protection Class	IP55
Insulation Class	F
Motor power (kw)	30
Frequency(Hz)	50
Rated speed(rpm)	2900
Rated voltage (V)	400/690
Rated current (a)	52.1/30.2
Cosφ	0.89
Energy efficiency Level	IE3
Efficiency100%	93.3
Efficiency75%	93.2

hydroo [®]	Product Information VDROO45-70	Manufacturer	Hydroo
		Address	
		Contact	34 972 394 654
		Date	2024/04/16
Project Name		Client Name	
		Client Addr.	
Item NO		Contacts	
		Contact	

MOTOR

Efficiency50%	92.3
Drive end bearing	6312ZZC3
Non-drive end bearing	7312B
Motor Weight (kg)	250

SEAL

Mechanical seal	D22 WBF16
-----------------	-----------

hydroo[®]

hydroo[®]

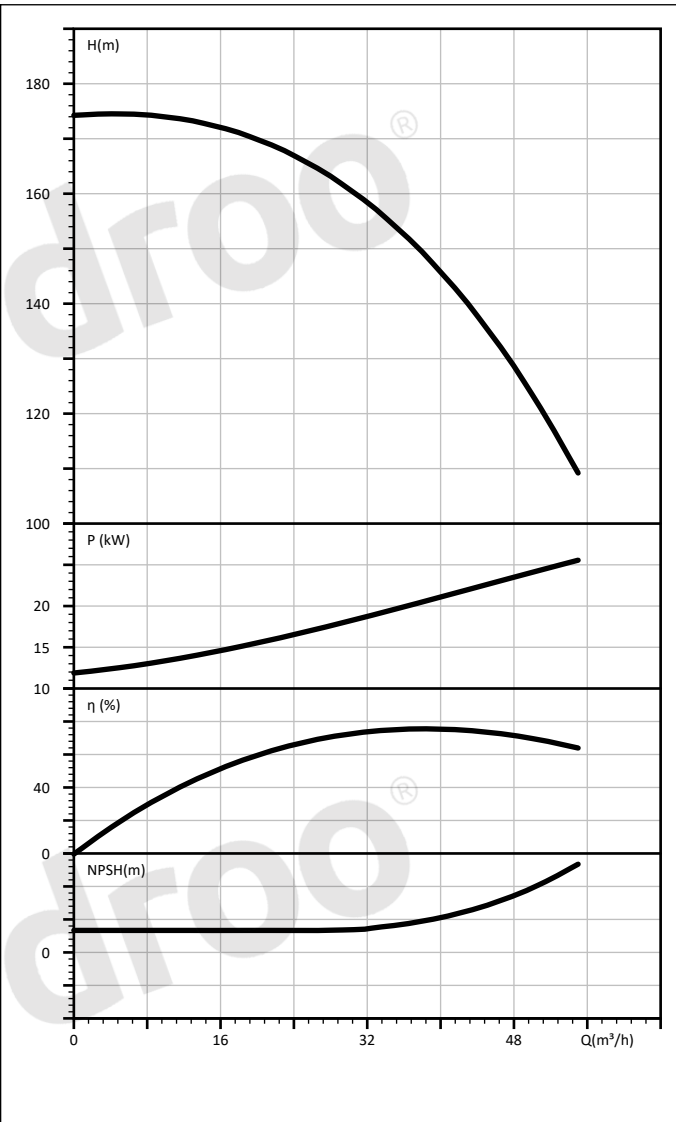
hydroo [®]	Performance Curve VDROO45-70	Manufacturer	Hydroo
		Address	
		Contact	34 972 394 654
		Date	2024/04/16
Project Name		Client Name	
Item NO		Client Addr.	
		Contacts	
		Contact	

The hydraulic performance curve have been tested with water at 20°C, density 1000kg/m³, and at 1bar atmospherical pressure. ISO99062012 Grade 3B

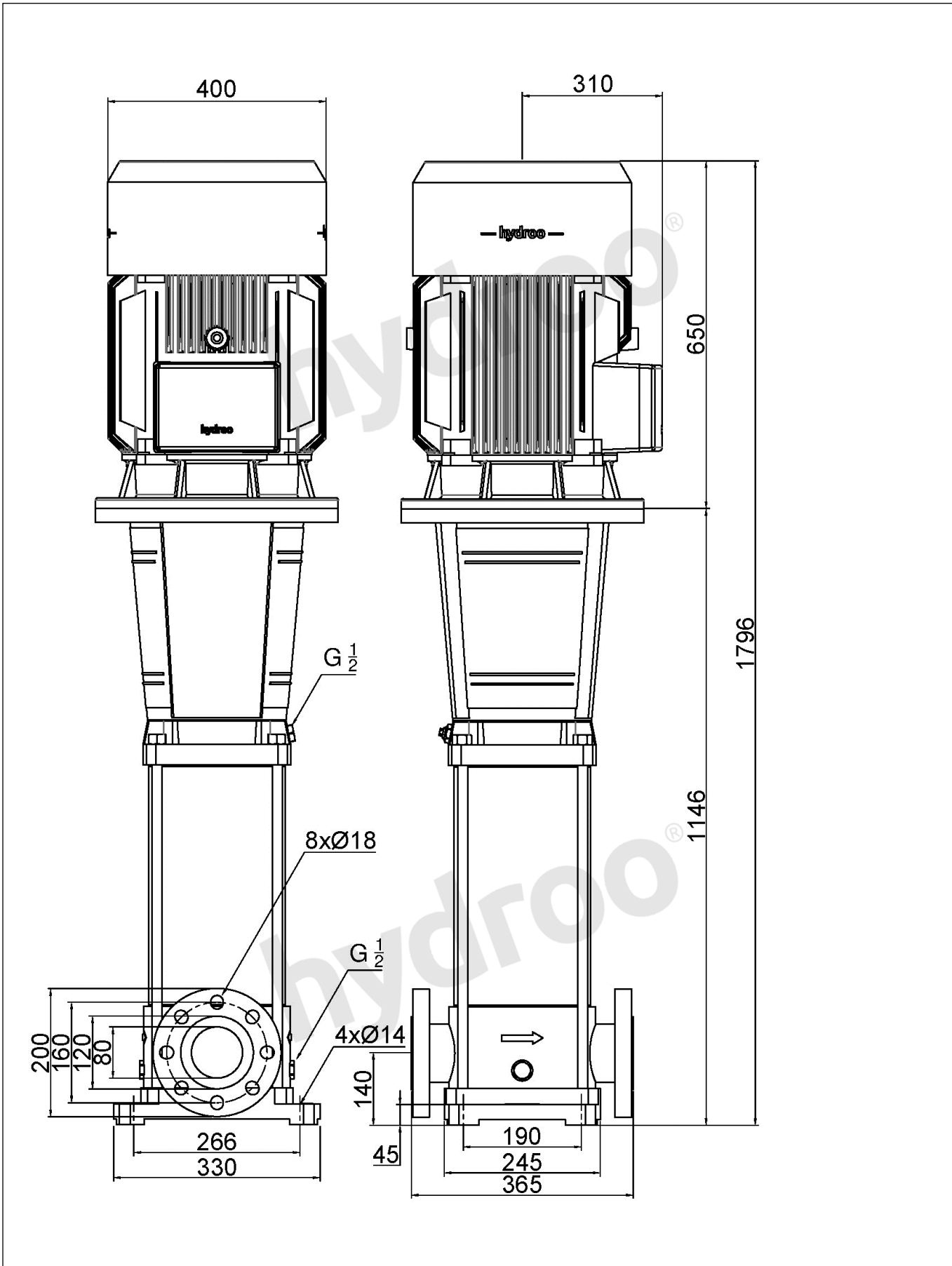


hydroo [®]	Pump Technical Parameters VDROO45-70	Manufacturer	Hydroo
		Address	
		Contact	34 972 394 654
		Date	2024/04/16
Project Name		Client Name	
		Client Addr.	
Item NO		Contacts	
		Contact	

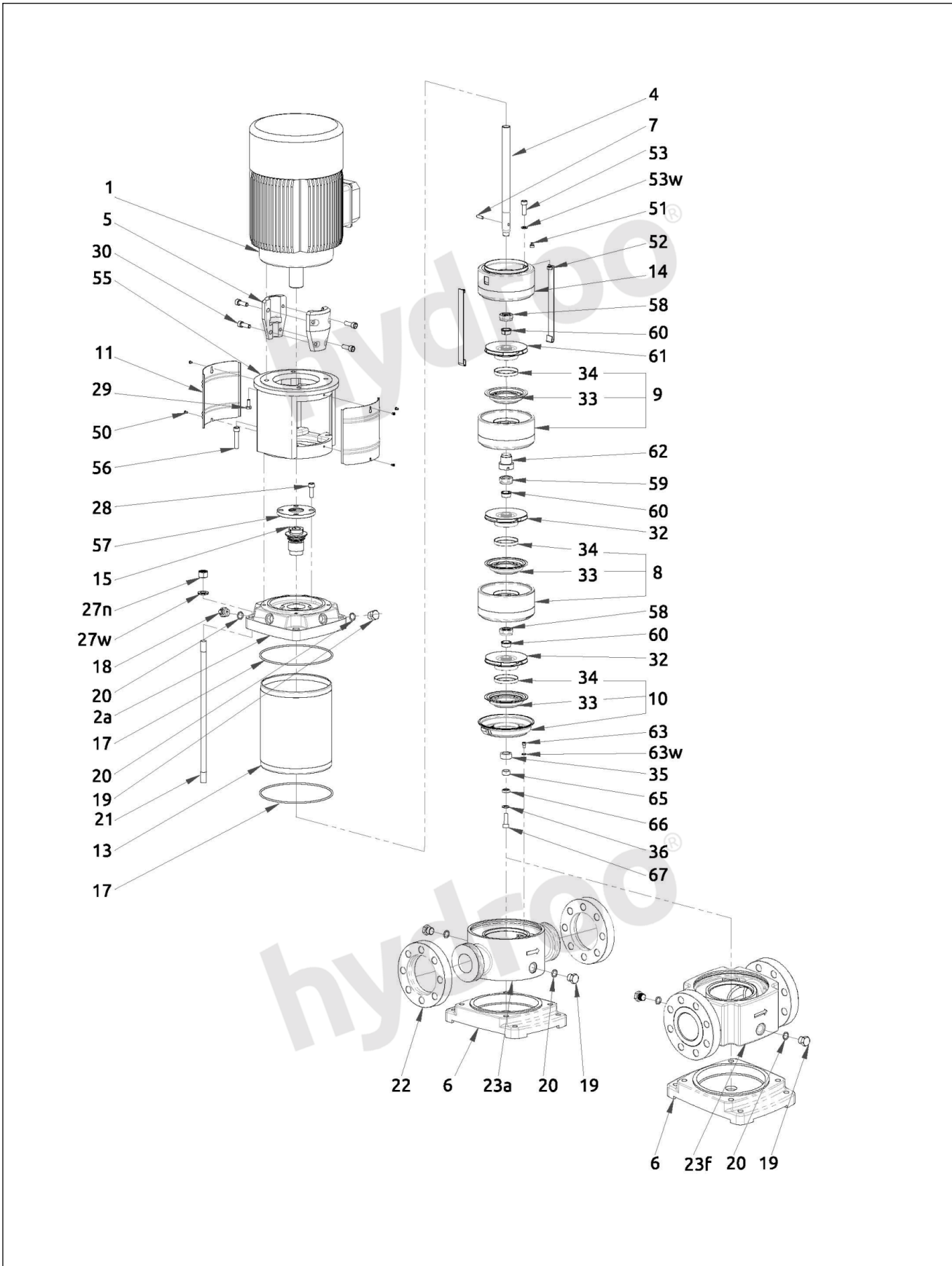
Rated parameters	
Pump model	VDROO45-70
Part NO.	VD45-70R 3000 T 4069 5 2 IE3
Rated flow	45 m ³ /h
Rated head	135 m
Rated efficiency (%)	69.8
Power (kW)	23.7
NPSHr (m)	2.5
Speed (rpm)	2900
Max impeller diameter (mm)	136
Medium	
Pumped medium	water
Working temperature (°C)	20
Medium density (kg/m ³)	1000
Viscosity (mm ² /s)	1



hydroo [®]	Installation picture VDROO45-70	Manufacturer	Hydroo
		Address	
		Contact	34 972 394 654
		Date	2024/04/16
Project Name		Client Name	
Item NO		Client Addr.	
		Contacts	
		Contact	



hydroo [®]	Structure picture VDROO45-70	Manufacturer	Hydroo
		Address	
		Contact	34 972 394 654
		Date	2024/04/16
Project Name		Client Name	
Item NO		Client Addr.	
		Contacts	
		Contact	



hydroo [®]	Physical picture VDROO45-70	Manufacturer	Hydroo
		Address	
		Contact	34 972 394 654
		Date	2024/04/16
		Client Name	
Project Name		Client Addr.	
Item NO		Contacts	
		Contact	



hydroo [®]	Order Data VDROO45-70	Manufacturer	Hydroo
		Address	
		Contact	34 972 394 654
		Date	2024/04/16
Project Name		Client Name	
		Client Addr.	
Item NO		Contacts	
		Contact	

Pump model VDROO45-70
Part NO. VD45-70R 3000 T 4069 5 2 IE3
Product price
Quantity 1
Total price

Inquiry notes