


<b>hydroo</b> <sup>®</sup>	<b>Product information</b> <b>VDROO15-14</b>	Manufacturer	Hydroo
		Address	
<b>Project Name</b>		Contact way	(+34) 972 394 654
		Date	2020/09/02
<b>Station Number</b>		Client Name	Electropompa
		Client Addr.	Moscow
		Contacts	
		Contact way	

Product No.	VF15-14R 1100 T 4069 5 2 IE3		
Product picture(Note: the picture may not be the same as the actual product.)	Series description		
	<p>VDROO is a new series of vertical multistage centrifugal pumps made by Hydroo. It includes different versions: VF, VX, VN and VD and their corresponding pumps sets with motor and with variable frequency drivers.</p> <p>VDROO range has been designed to meet the highest demanding in pumping installations. It has been designed, engineered, industrialized and finally, is being produced in the main factory of Hydroo in Palol de Revardit, Catalonia-Spain.</p>		

### Performance Date

Rated flow(m <sup>3</sup> /h)	15
Rated head(m)	165
Efficiency(%)	71
Rated power(kW)(kW)	9.5
NPSHr(m)	1.8
Impeller Dia(mm)	105.2
Rate Speed(rpm)	2900
Impeller stage	14
Min. Flow (m <sup>3</sup> /h)	8
Max. Flow (m <sup>3</sup> /h)	24
Max. Efficiency (%)	73
MEI	0,7
Pump Weight (kg)	163

### MATERIAL

Impeller/Diffuser/Casing	AISI 304
Rubber code	E
Inlet & Outlet chamber	ASTM 25B

### INSTALLATION

Connection Code	R
Connection type	Threaded Round flange
Max. pressure (bar)	24
Low/High Temperature()	-15 / 120
Pressure rating	PN25-40
Inlet & Outlet Connection s	DN50
Max. Environment temperatur	40

### MOTOR

Number of Motor Phases	3~
Protection Class	IP55
Insulation Class	F
Motor Power (kW)	11
Frequency(Hz)	50
Rated speed(rpm)	2900
Rated voltage (V)	400/690
Rated current (A)	19.6/11.3
cos	0.89
Energy efficiency Level	IE3

<b>hydroo</b> <sup>®</sup>	<b>Product information</b> <b>VDROO15-14</b>	Manufacturer	Hydroo
		Address	
		Contact way	(+34) 972 394 654
		Date	2020/09/02
		Client Name	Electropompa
<b>Project Name</b>		Client Addr.	Moscow
<b>Station Number</b>		Contacts	
		Contact way	

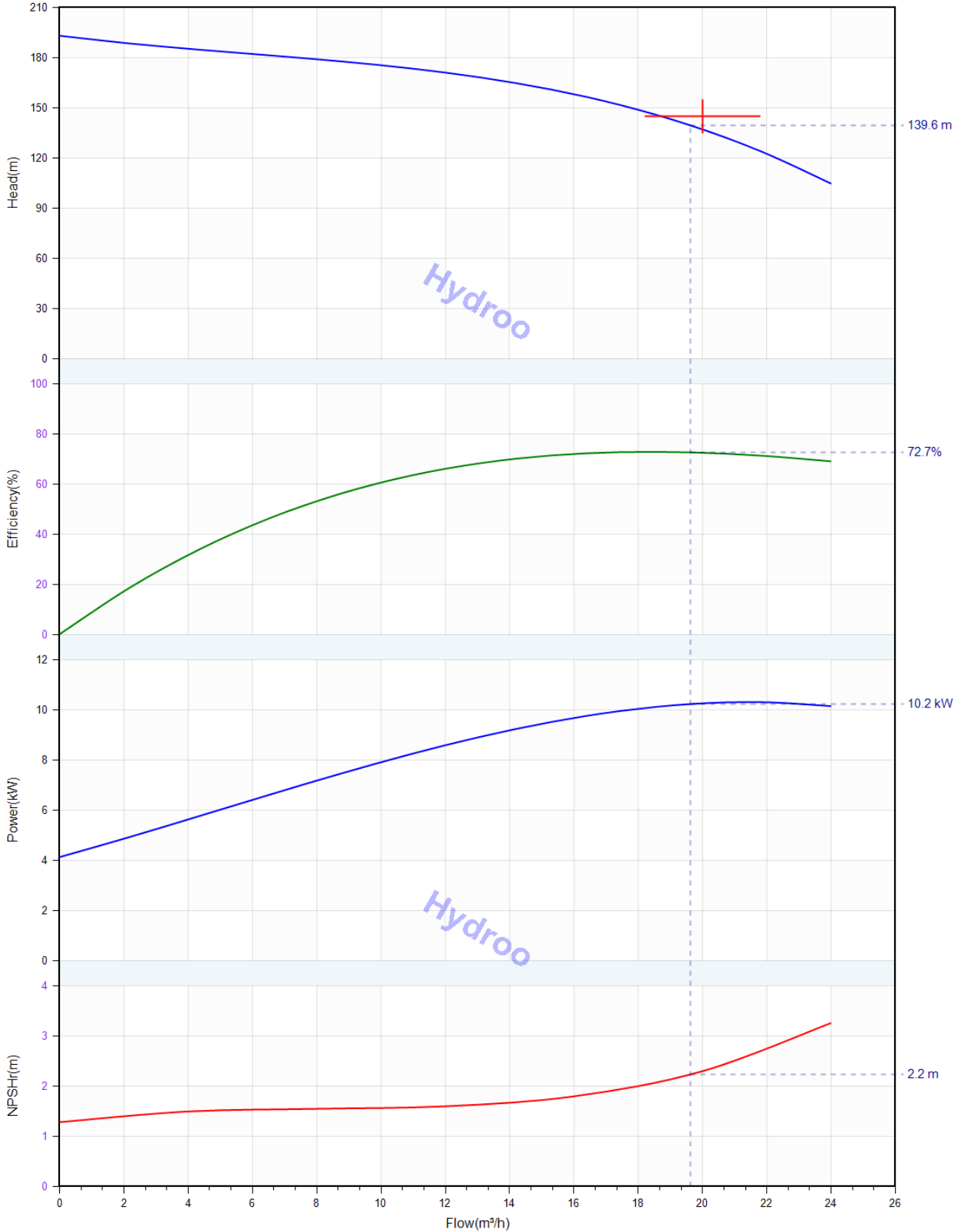
Efficiency100%	91.2
Efficiency75%	91.1
Efficiency50%	89.9
Drive end bearing	7309B
Non-drive end bearing	6309ZZC3
Motor Weight (kg)	117

**SEAL**

Mechanical Seal	D16 WBE4
-----------------	----------

<b>hydroo</b> <sup>®</sup>	<b>Performance Curve</b> <b>VDROO15-14</b>	Manufacturer	Hydroo
		Address	
		Contact way	(+34) 972 394 654
		Date	2020/09/02
<b>Project Name</b>		Client Name	Electropompa
<b>Station Number</b>		Client Addr.	Moscow
		Contacts	
		Contact way	

Medium Name Temperature °C, Density 1000 kg/m<sup>3</sup>, Viscosity 1 mm<sup>2</sup>/s (ISO 9906 2012 Grande 3B)



<b>hydroo</b> <sup>®</sup>	<b>Pump technical parameters</b> <b>VDROO15-14</b>	Manufacturer	Hydroo
		Address	
Project Name		Contact way	(+34) 972 394 654
		Date	2020/09/02
Station Number		Client Name	Electropompa
		Client Addr.	Moscow
		Contacts	
		Contact way	

### Rated parameters

Pump model	VDROO15-14
Product No.	VF15-14R 1100 T 4069 5 2 IE3
Rated flow(m <sup>3</sup> /h)	15
Rated pressure(m)	165
Rated efficiency(%)	71
Power(kW)	9.5
NPSHr(m)	1.8
Speed(rpm)	2900

### Design point parameters

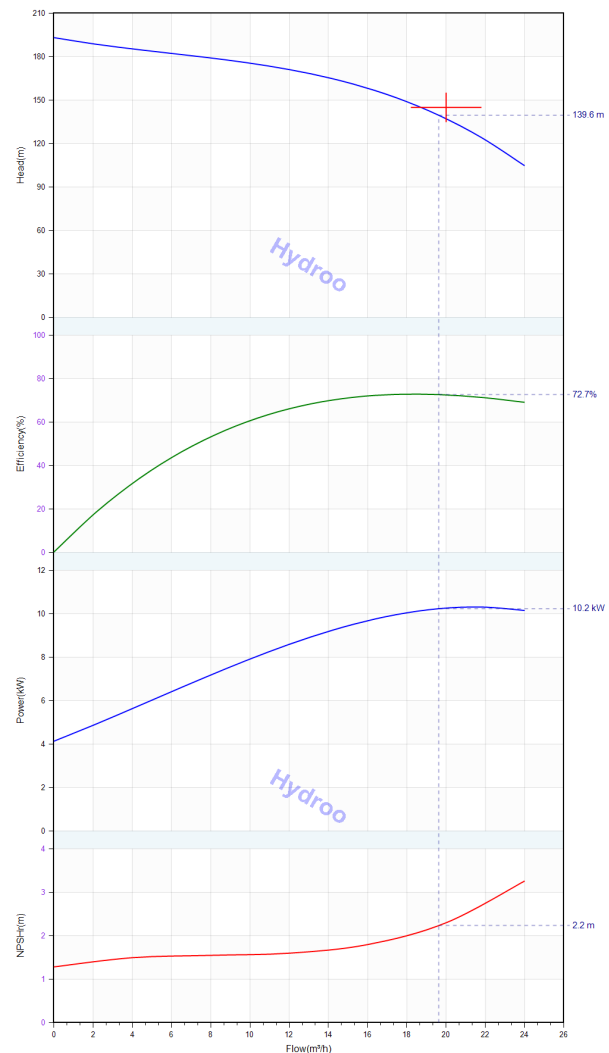
Flow(m <sup>3</sup> /h)	20
Head(m)	145

### Operating point parameters

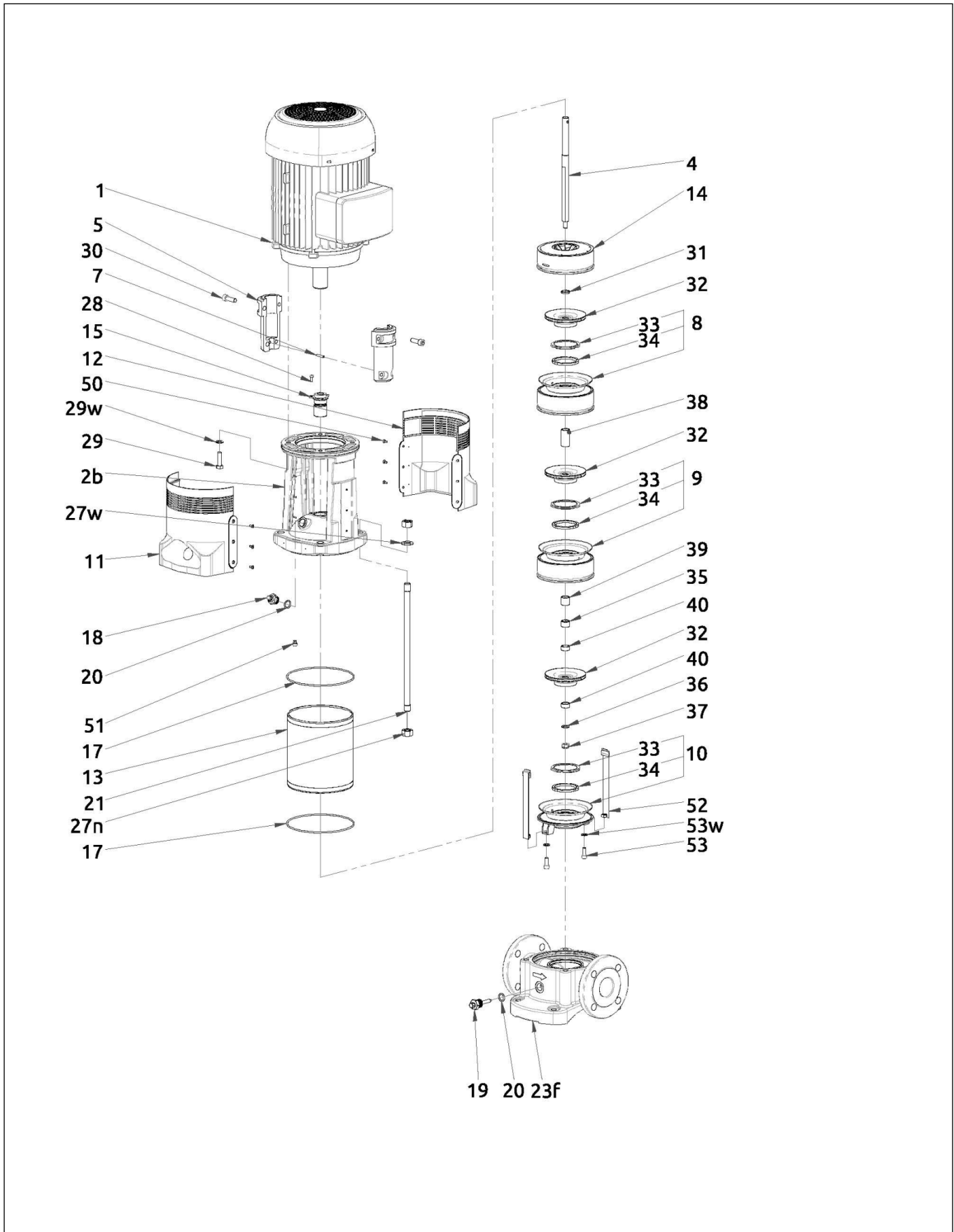
Flow(m <sup>3</sup> /h)	19.6
Head(m)	139.6
Efficiency(%)	72.7
Power(kW)	10.2
NPSHr(m)	2.2
Speed(rpm)	2900

### Medium

Medium Name	clear water
Working temperature(°C)	20
Medium density(kg/m <sup>3</sup> )	1000
Viscosity(mm <sup>2</sup> /s)	1



<b>hydroo</b> <sup>®</sup>	<b>Structure picture</b> <b>VDROO15-14</b>	Manufacturer	Hydroo
		Address	
Project Name		Contact way	(+34) 972 394 654
		Date	2020/09/02
Station Number		Client Name	Electropompa
		Client Addr.	Moscow
		Contacts	
		Contact way	



**hydroo**<sup>®</sup>

**Installation drawing  
VDROO15-14**

Manufacturer	Hydroo
Address	
Contact way	(+34) 972 394 654
Date	2020/09/02
Client Name	Electropompa
Client Addr.	Moscow
Contacts	
Contact way	

Project Name

Station Number

