


<b>hydroo</b> <sup>®</sup>	<b>Product information</b> <b>VDROO15-9</b>	Manufacturer	Hydroo
		Address	
<b>Project Name</b>		Contact	(+34) 972 394 654
		Date	2021/10/04
<b>Station Number</b>		Client Name	GK Electropompa
		Client Addr.	Russia, Moscow
		Contacts	
		Contact	7(495)981-92-44(45)

Product No.	VN15-9R 0750 T 4069 5 2 IE3
-------------	-----------------------------

Product picture(Note: the picture may not be the same as t	Series description
	<p>VDROO is a new series of vertical multistage centrifugal pumps made by Hydroo. It includes different versions: VF, VX, VN and VD and their corresponding pumps sets with motor and with variable frequency drivers.</p> <p>VDROO range has been designed to meet the highest demanding in pumping installations. It has been designed, engineered, industrialized and finally, is being produced in the main factory of Hydroo in Palol de Revardit, Catalonia-Spain.</p>

### Performance Data

Rated flow(m <sup>3</sup> /h)	15
Rated head(m)	106
Efficiency(%)	71
Rated power(kW)(kW)	6.1
NPSHr(m)	1.8
Impeller Dia(mm)	105.2
Rate Speed(rpm)	2900
Impeller stage	9
Min. Flow (m <sup>3</sup> /h)	8
Max. Flow (m <sup>3</sup> /h)	24
Max. Efficiency (%)	73
MEI	0,7
Pump Weight (kg)	92

### MATERIAL

Impeller/Diffuser/Casing	AISI 316
Rubber code	E
Inlet & Outlet chamber	AISI 316L

### INSTALLATION

Connection Code	R
Connection type	Threaded Round flange
Max. pressure (bar)	24
Low/High Temperature()	-15 / 120
Pressure rating	PN25-40
Inlet & Outlet Connection	DN50
Max. Environment temperatu	40

### MOTOR

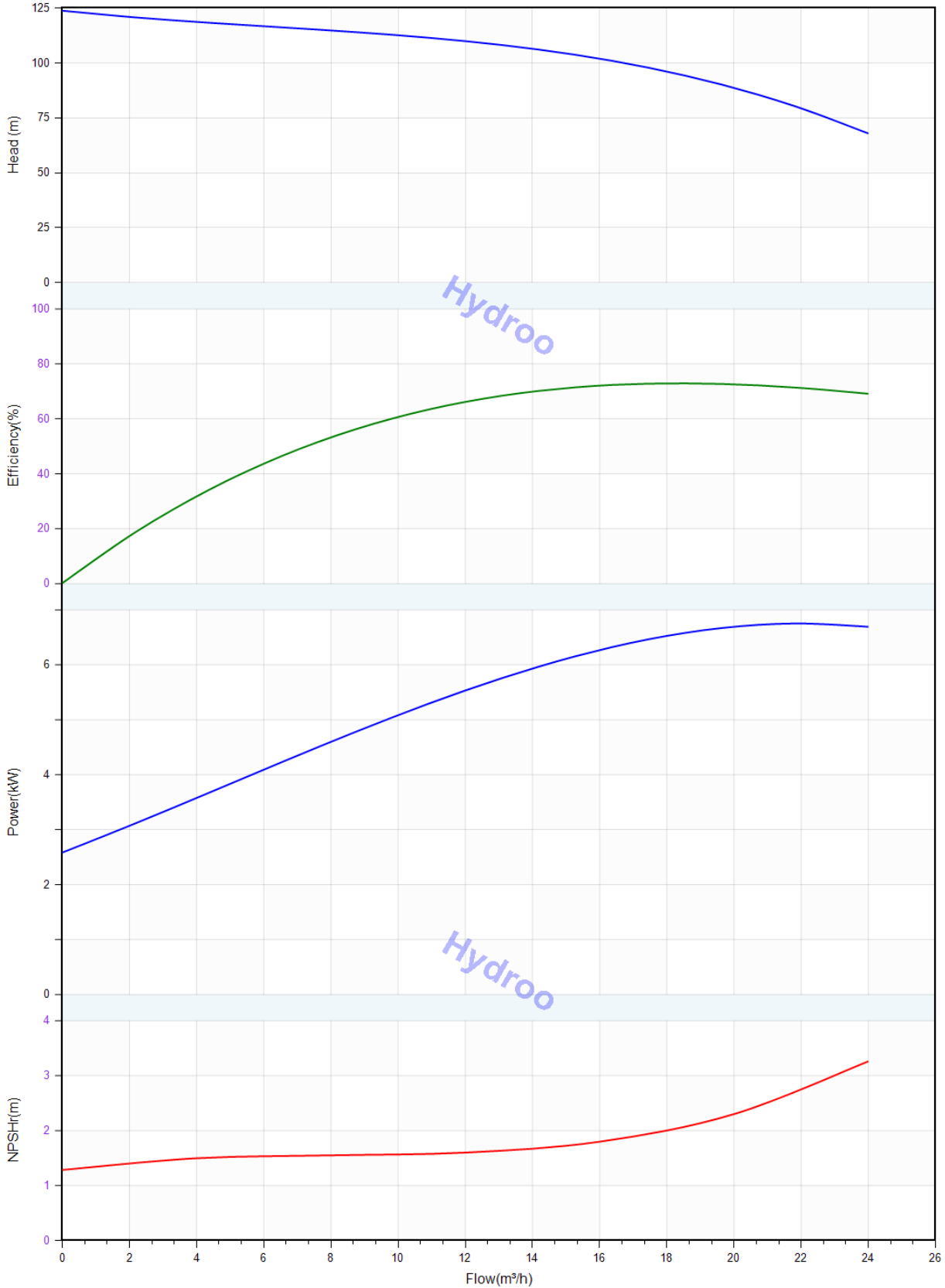
Number of Motor Phases	3~
Protection Class	IP55
Insulation Class	F
Motor Power (kW)	7.5
Frequency(Hz)	50
Rated speed(rpm)	2900
Rated voltage (V)	400/690
Rated current (A)	13.7/7.9
cos	0.88
Energy efficiency Level	IE3

<b>hydroo</b> <sup>®</sup>	<b>Product information</b> <b>VDROO15-9</b>	Manufacturer	Hydroo
		Address	
		Contact	(+34) 972 394 654
		Date	2021/10/04
		Client Name	GK Electropompa
<b>Project Name</b>		Client Addr.	Russia, Moscow
<b>Station Number</b>		Contacts	
		Contact	7(495)981-92-44(45)

Efficiency100%	90.1
Efficiency75%	90.3
Efficiency50%	89.7
Drive end bearing	6308ZZC3
Non-drive end bearing	6308ZZC3
Motor Weight (kg)	58.5
<b>SEAL</b>	
Mechanical Seal	D16 WBE4

<b>hydroo</b> <sup>®</sup>	<b>Performance Curve</b> <b>VDROO15-9</b>	Manufacturer	Hydroo
		Address	
		Contact	(+34) 972 394 654
		Date	2021/10/04
<b>Project Name</b>		Client Name	GK Electropompa
<b>Station Number</b>		Client Addr.	Russia, Moscow
		Contacts	
		Contact	7(495)981-92-44(45)

Medium Name Water , Temperature°C, Density1000kg/m³, Viscosity1mm²/s, (ISO99062012 Grande 3B)



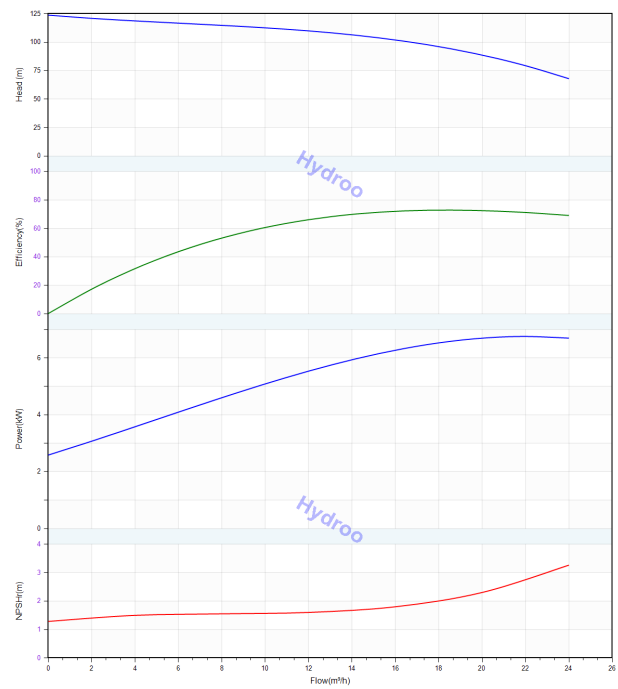
<b>hydroo</b> <sup>®</sup>	<b>Pump technical parameters</b> <b>VDROO15-9</b>	Manufacturer	Hydroo
		Address	
Project Name		Contact	(+34) 972 394 654
		Date	2021/10/04
Station Number		Client Name	GK Electropompa
		Client Addr.	Russia, Moscow
		Contacts	
		Contact	7(495)981-92-44(45)

### Rated parameters

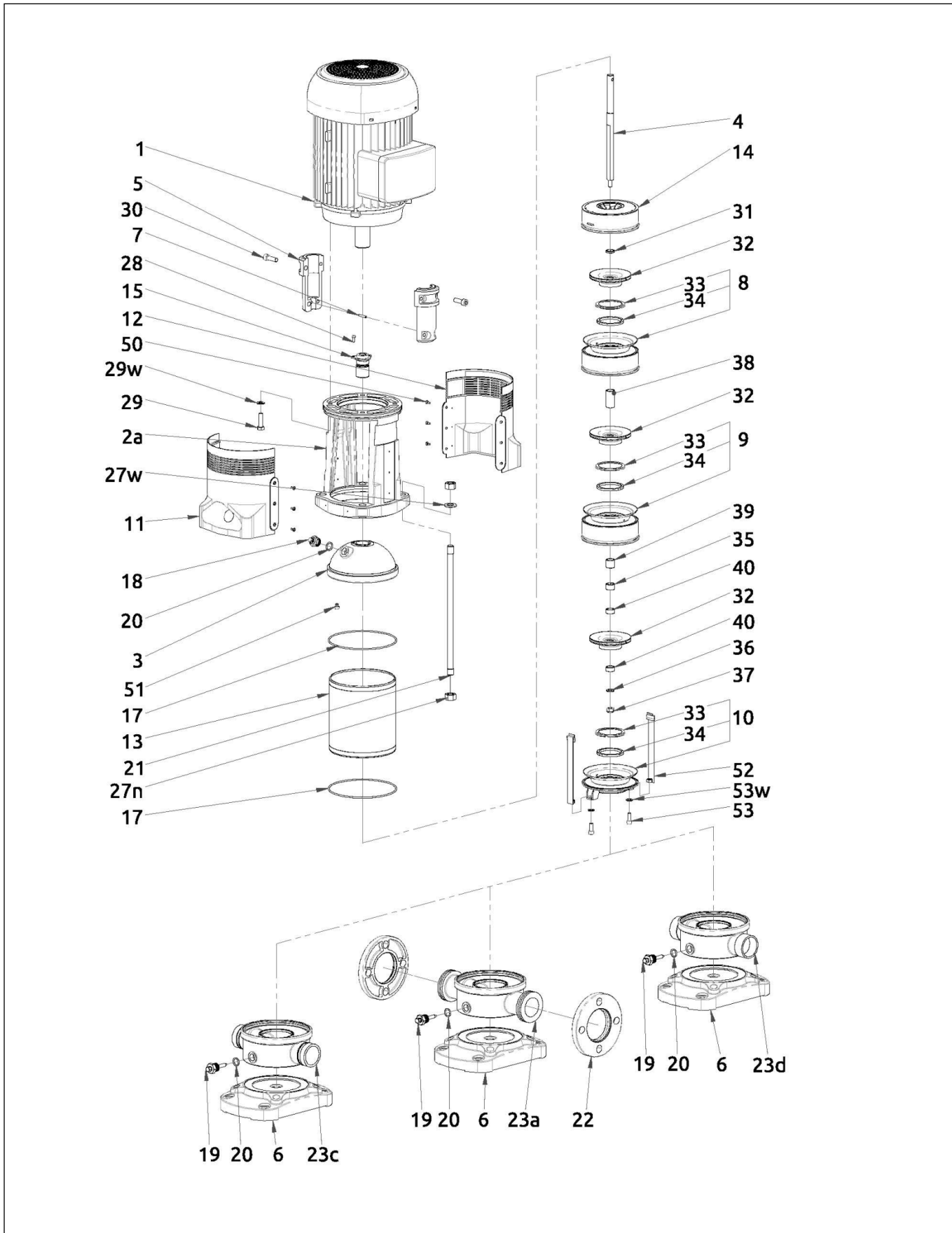
Pump model	VDROO15-9
Product No.	VN15-9R 0750 T 4069 5 2 IE3
Rated flow(m <sup>3</sup> /h)	15
Rated pressure(m)	106
Rated efficiency(%)	71
Power(kW)	6.1
NPSHr(m)	1.8
Speed(rpm)	2900

### Medium

Medium Name	Water
Working temperature(°C)	20
Medium density(kg/m <sup>3</sup> )	1000
Viscosity(mm <sup>2</sup> /s)	1



<b>hydroo</b> <sup>®</sup>	<b>Structure picture</b> <b>VDROO15-9</b>	Manufacturer	Hydroo
		Address	
Project Name		Contact	(+34) 972 394 654
		Date	2021/10/04
Station Number		Client Name	GK Electropompa
		Client Addr.	Russia, Moscow
		Contacts	
		Contact	7(495)981-92-44(45)



<b>hydroo</b> <sup>®</sup>	<b>Installation picture</b> <b>VDROO15-9</b>	Manufacturer	Hydroo
		Address	
Project Name		Contact	(+34) 972 394 654
		Date	2021/10/04
Station Number		Client Name	GK Electropompa
		Client Addr.	Russia, Moscow
		Contacts	
		Contact	7(495)981-92-44(45)

