


hydroo [®]	Product information VDROO10-4	Manufacturer	Hydroo
		Address	
		Contact way	(+34) 972 394 654
		Date	2020/03/19
Project Name		Client Name	
		Client Addr.	
Station Number		Contacts	
		Contact way	

Product No.	VF10-4R 0150 T 2340 5 2 IE3		
Product picture(Note: the picture may not be the same as the actual product.)	Series description		
	<p>VDROO is a new series of vertical multistage centrifugal pumps made by Hydroo. It includes different versions: VF, VX, VN and VD and their corresponding pumps sets with motor and with variable frequency drivers.</p> <p>VDROO range has been designed to meet the highest demanding in pumping installations. It has been designed, engineered, industrialized and finally, is being produced in the main factory of Hydroo in Palol de Revardit, Catalonia-Spain.</p>		

Performance Date

Rated flow(m ³ /h)	10
Rated head(m)	34
Efficiency(%)	72
Rated power(kW)(kW)	1.287
NPSHr(m)	2
Impeller Dia(mm)	100
Rate Speed(rpm)	2900
Impeller stage	4
Min. Flow (m ³ /h)	5
Max. Flow (m ³ /h)	14
Max. Efficiency (%)	72
MEI	0,8
Pump Weight (kg)	41

MATERIAL

Impeller/Diffuser/Casing	AISI 304
Rubber code	E
Inlet & Outlet chamber	ASTM 25B

INSTALLATION

Connection Code	R
Connection type	Threaded Round flange
Max. pressure (bar)	24
Low/High Temperature()	-15 / 120
Pressure rating	PN25-40
Inlet & Outlet Connection s	DN40
Max. Environment temperatur	40

MOTOR

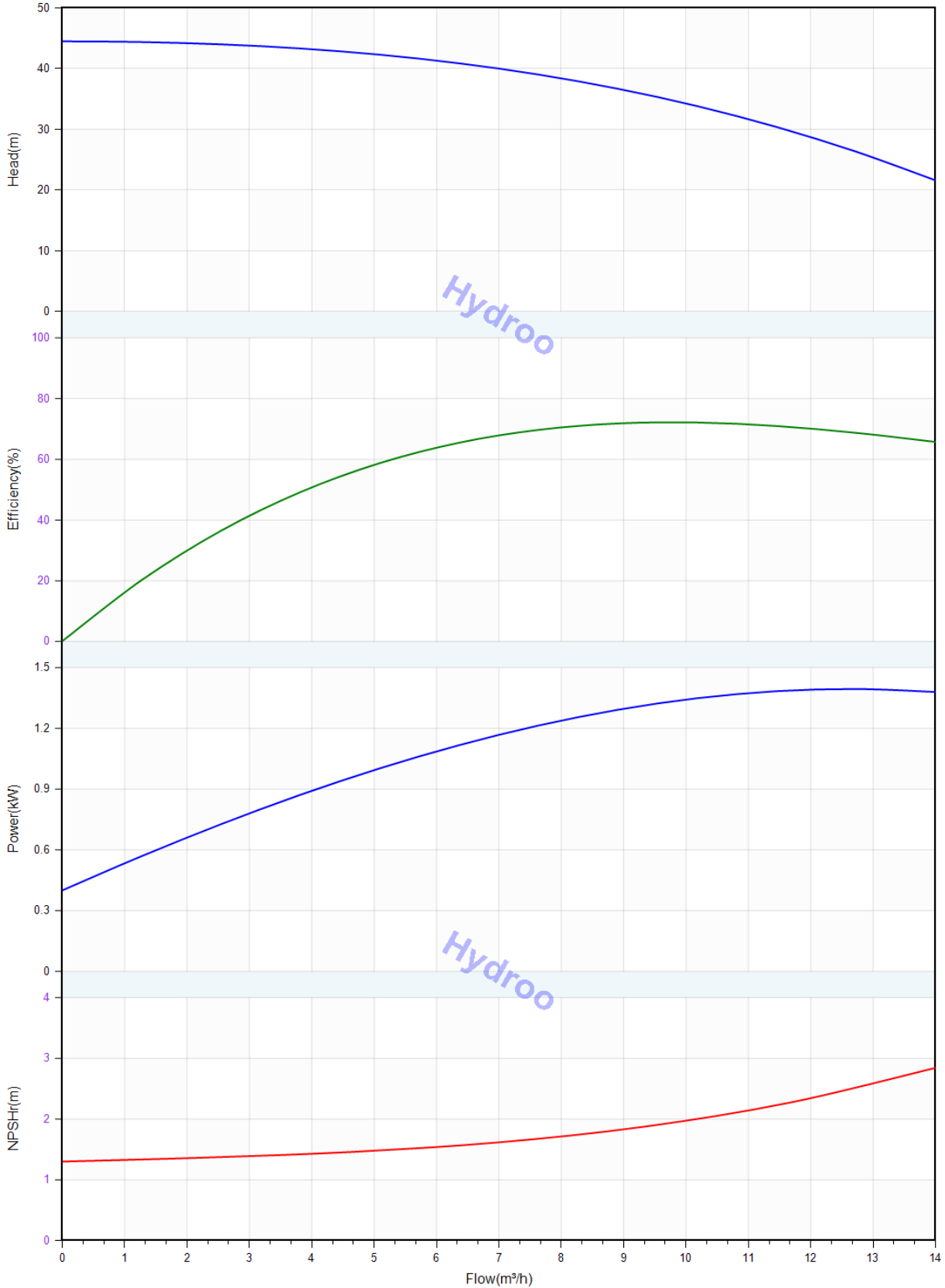
Number of Motor Phases	3~
Protection Class	IP55
Insulation Class	F
Motor Power (kW)	1.5
Frequency(Hz)	50
Rated speed(rpm)	2900
Rated voltage (V)	230/400
Rated current (A)	5.3/3.1
cos	0.84
Energy efficiency Level	IE3

hydroo [®]	Product information VDROO10-4	Manufacturer	Hydroo
		Address	
		Contact way	(+34) 972 394 654
		Date	2020/03/19
Project Name		Client Name	
		Client Addr.	
Station Number		Contacts	
		Contact way	

Efficiency100%	84.2
Efficiency75%	84.7
Efficiency50%	83.3
Drive end bearing	6305ZZ
Non-drive end bearing	6205ZZ
Motor Weight (kg)	16.5
SEAL	
Mechanical Seal	D16 WBE4

hydroo [®]	Performance Curve VDROO10-4	Manufacturer	Hydroo
		Address	
		Contact way	(+34) 972 394 654
		Date	2020/03/19
Project Name		Client Name	
Station Number		Client Addr.	
		Contacts	
		Contact way	

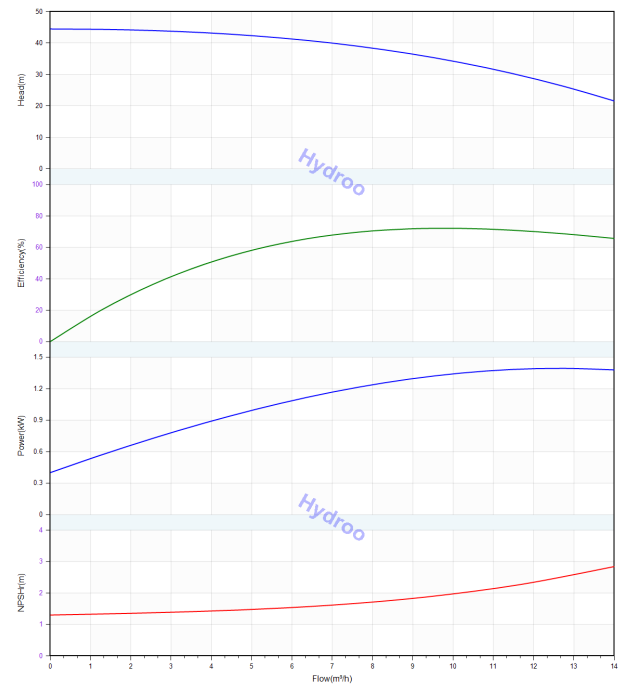
Medium NameTemperature°C,Density1000kg/m3Viscosity1mm²/s(ISO99062012 Grande 3B)



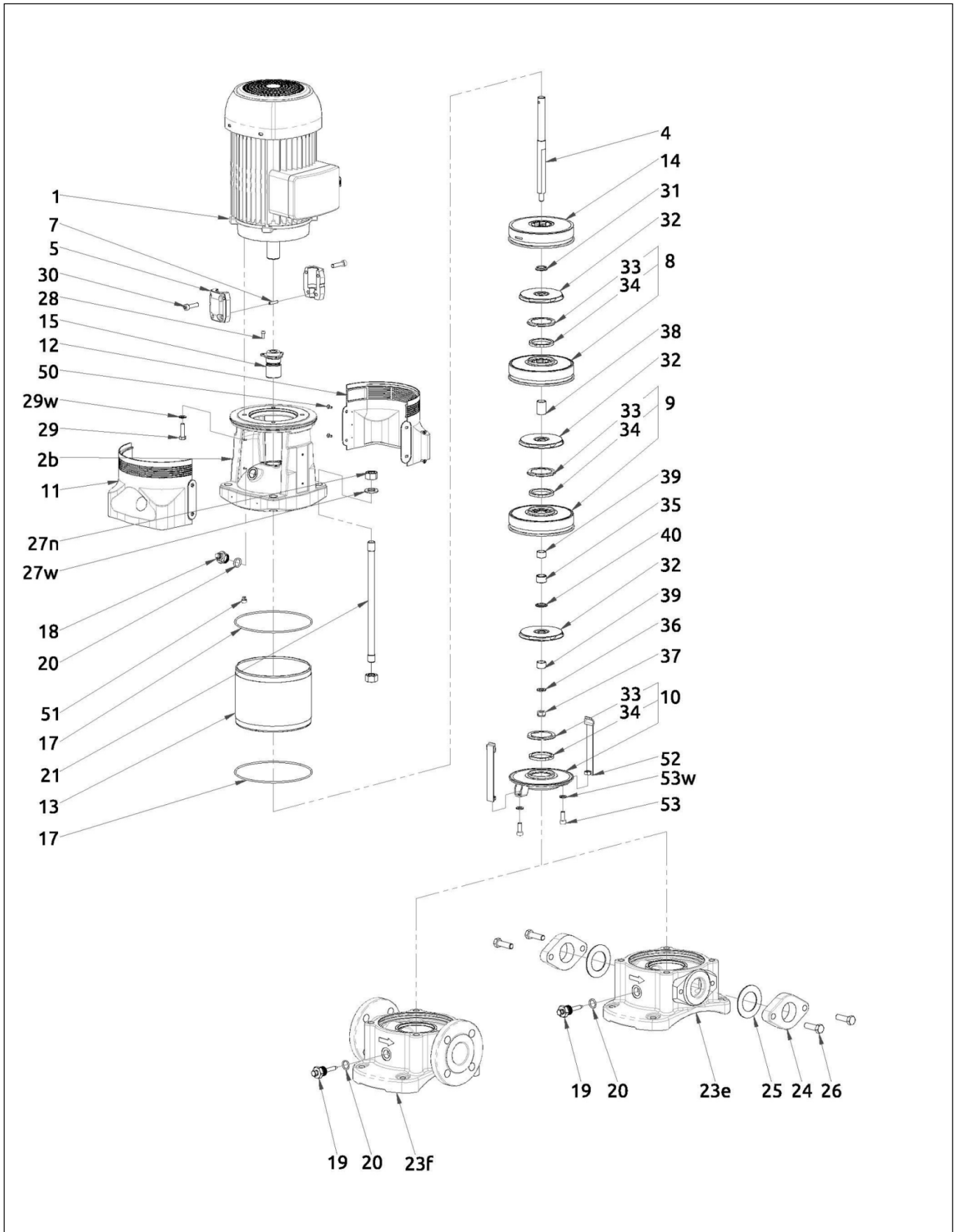
hydroo [®]	Pump technical parameters VDROO10-4	Manufacturer	Hydroo
		Address	
Project Name		Contact way	(+34) 972 394 654
		Date	2020/03/19
Station Number		Client Name	
		Client Addr.	
		Contacts	
		Contact way	

Rated parameters	
Pump model	VDROO10-4
Product No.	VF10-4R 0150 T 2340 5 2 IE3
Rated flow(m ³ /h)	10
Rated pressure(m)	34
Rated efficiency(%)	72
Power(kW)	1.287
NPSHr(m)	2
Speed(rpm)	2900

Medium	
Medium Name	clear water
Working temperature(°C)	20
Medium density(kg/m ³)	1000
Viscosity(mm ² /s)	1



hydroo [®]	Structure picture VDROO10-4	Manufacturer	Hydroo
		Address	
Project Name		Contact way	(+34) 972 394 654
		Date	2020/03/19
Station Number		Client Name	
		Client Addr.	
		Contacts	
		Contact way	



hydroo[®]

Installation drawing
VDROO10-4

Manufacturer	Hydroo
Address	
Contact way	(+34) 972 394 654
Date	2020/03/19
Client Name	
Client Addr.	
Contacts	
Contact way	

Project Name

Station Number

