


hydroo [®]	Product Information VDROO125-20-2	Manufacturer	Hydroo
		Address	
		Contact	(+34) 972 394 654
		Date	2022/10/26
Project Name		Client Name	Electropompa
		Client Addr.	Moscow
Item NO		Contacts	
		Contact	

Part NO.	VF125-20-2R 1500 T 4069 5 2 IE3
----------	---------------------------------

Product Picture	Note
	<p>VDROO is a new series of vertical multistage centrifugal pumps made by Hydroo. It includes different versions: VF, VX, VN and VD and their corresponding pumps sets with motor and with variable frequency drivers.</p> <p>VDROO range has been designed to meet the highest demanding in pumping installations. It has been designed, engineered, industrialized and finally, is being produced in the main factory of Hydroo in Palol de Revardit, Catalonia-Spain.</p>

Nameplate parameters

flow	125 m ³ /h
head	28 m
Efficiency	74.7
speed	2950
number of stages	2

Rated parameters

Min. Flow (m ³ /h)	60
Max. Flow (m ³ /h)	150
Max. Efficiency (%)	74
MEI	≥ 0,6
Pump Weight (kg)	245

MATERIAL

Impeller/Diffuser/Casing	AISI 304
Rubber code	F
Inlet & Outlet chamber	ASTM 80-55-06

INSTALLATION

Connection Code	R
Connection type	Threaded Round flange
Max. pressure (bar)	16
Low/High Temperature (°C)	-15 / 120
Pressure rating	PN25-40
Inlet & Outlet Connection	DN125
Max. Environment temperatu	40

MOTOR

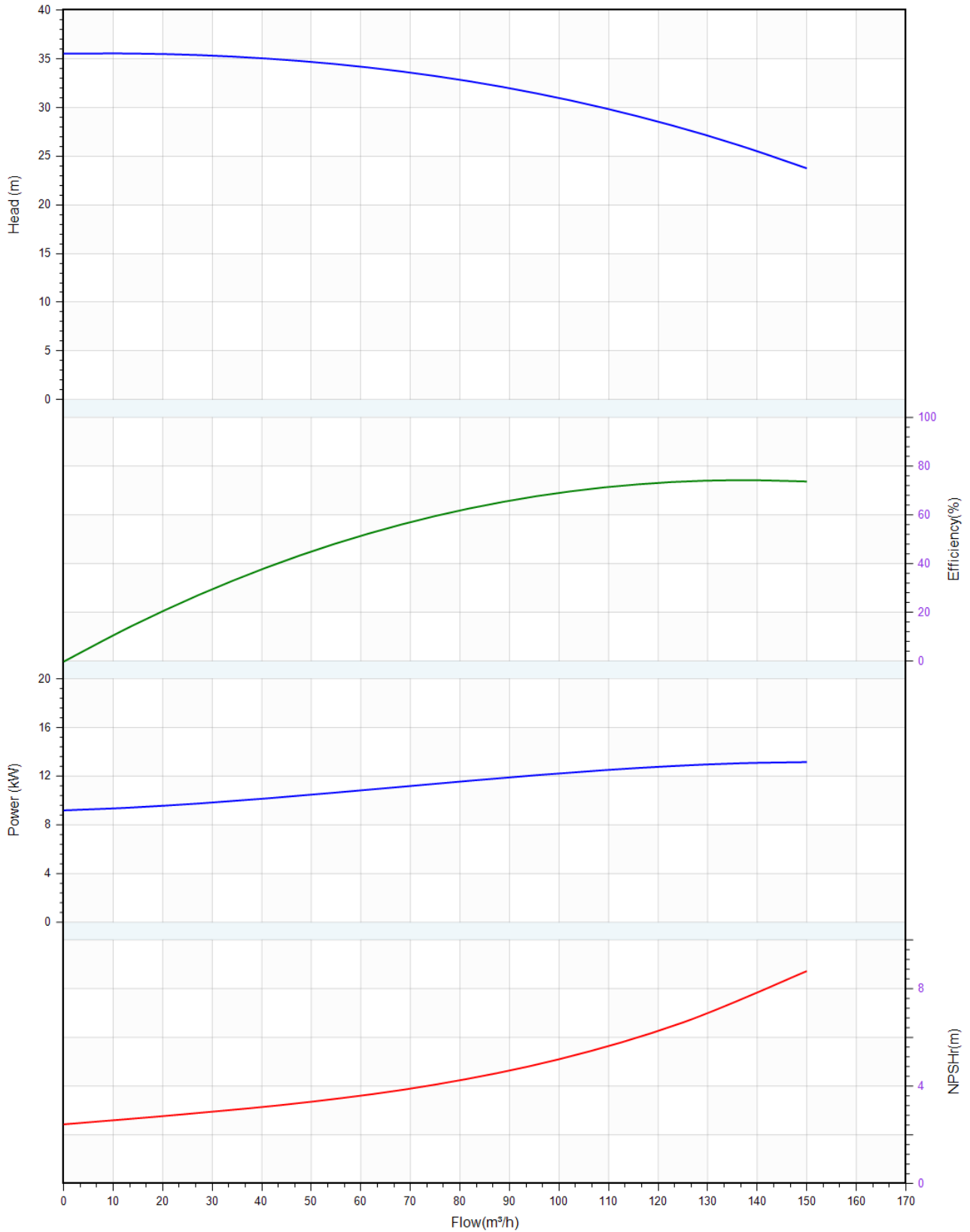
Number of Motor Phases	3~
Protection Class	IP55
Insulation Class	F
Motor power (kw)	15
Frequency(Hz)	50
Rated speed(rpm)	2950
Rated voltage (V)	400/690
Rated current (a)	26.5/15.3
cosφ	0.89
Energy efficiency Level	IE3
Efficiency100%	91.9

hydroo [®]	Product Information VDROO125-20-2	Manufacturer	Hydroo
		Address	
		Contact	(+34) 972 394 654
		Date	2022/10/26
Project Name		Client Name	Electropompa
		Client Addr.	Moscow
Item NO		Contacts	
		Contact	

Efficiency75%	91.8
Efficiency50%	90.8
Drive end bearing	7309B
Non-drive end bearing	6309ZZC3
Motor Weight (kg)	132
SEAL	
Mechanical seal	D32 WBF16

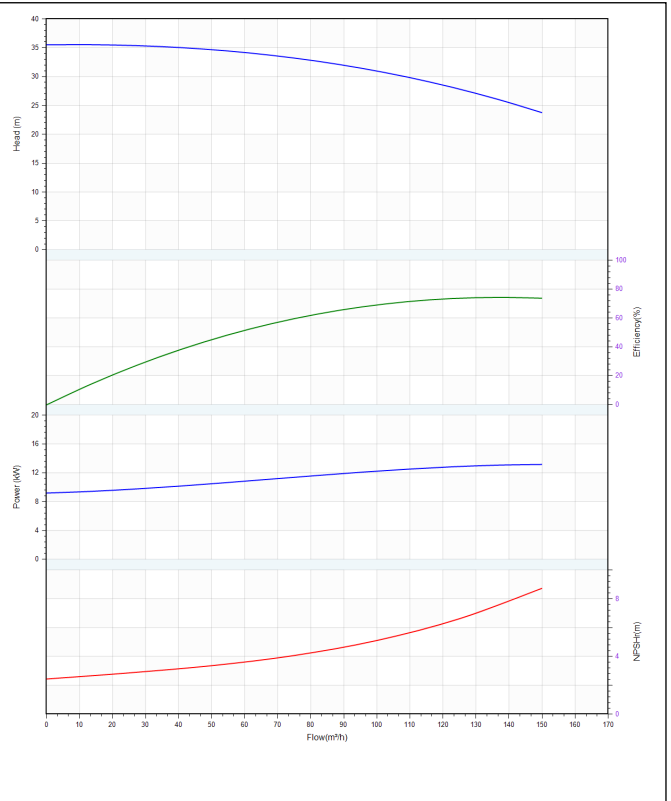
hydroo [®]	Performance Curve VDROO125-20-2	Manufacturer	Hydroo
		Address	
		Contact	(+34) 972 394 654
		Date	2022/10/26
Project Name		Client Name	Electropompa
		Client Addr.	Moscow
Item NO		Contacts	
		Contact	

The hydraulic performance curve have been tested with Water at °C, density 1000kg/m³, and at 1bar atmospheric pressure. GB32162016 Grande 3B

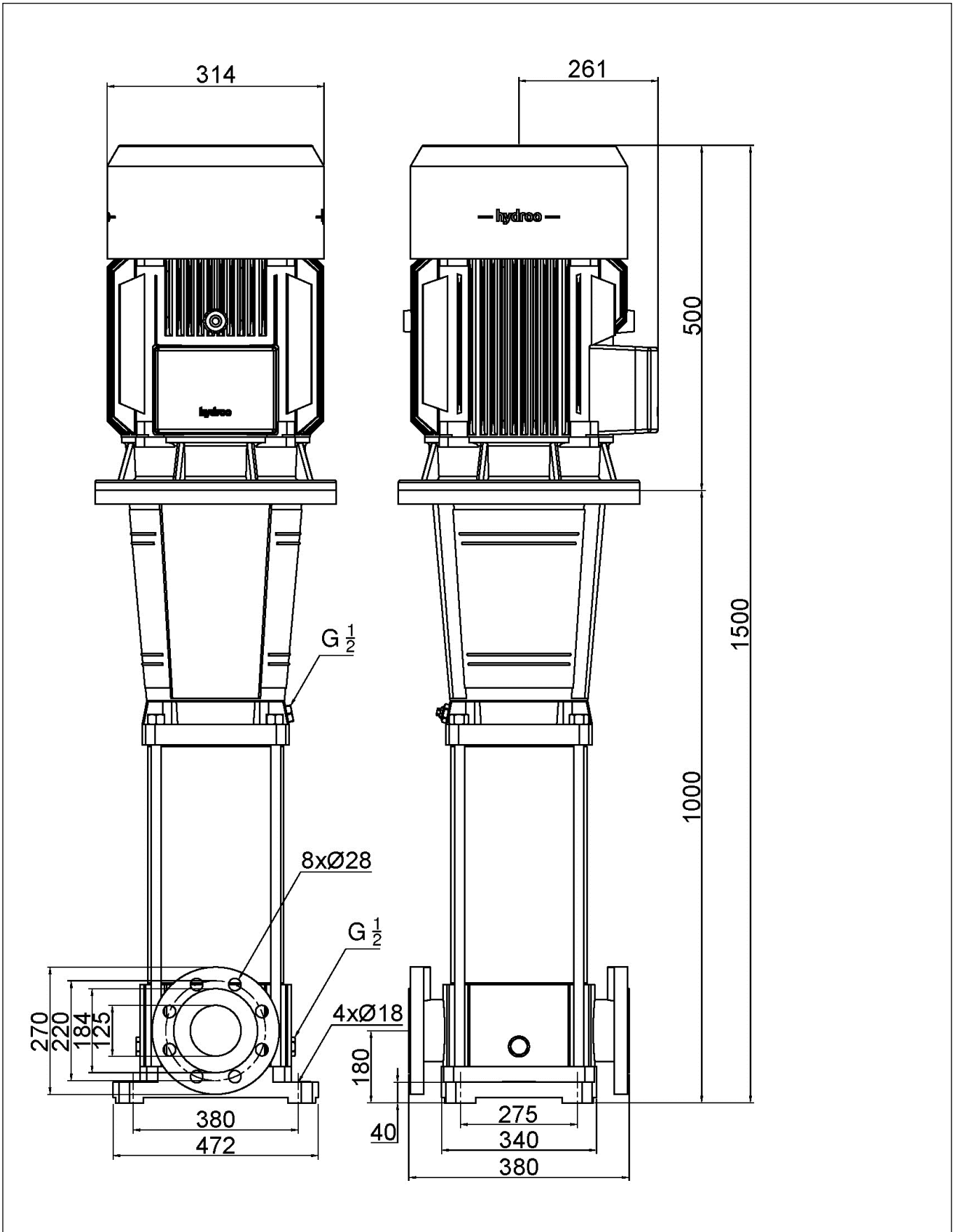


hydroo [®]	Pump Technical Parameters VDROO125-20-2	Manufacturer	Hydroo
		Address	
		Contact	(+34) 972 394 654
		Date	2022/10/26
Project Name		Client Name	Electropompa
Item NO		Client Addr.	Moscow
		Contacts	
		Contact	

Rated parameters	
Pump model	VDROO125-20-2
Part NO.	VF125-20-2R 1500 T 4069 5 2 IE3
Rated flow	125 m ³ /h
Rated head	28 m
Rated efficiency (%)	74.7
Power (kW)	12.8
NPSHr (m)	6
Speed (rpm)	2950
Max impeller diameter (mm)	132
Medium	
Pumped medium	Water
Working temperature (°C)	20
Medium density (kg/m ³)	1000
Viscosity (mm ² /s)	1



hydroo [®]	Installation picture VDROO125-20-2	Manufacturer	Hydroo
		Address	
		Contact	(+34) 972 394 654
		Date	2022/10/26
Project Name		Client Name	Electropompa
		Client Addr.	Moscow
Item NO		Contacts	
		Contact	



hydroo [®]	Physical picture VDROO125-20-2	Manufacturer	Hydroo
		Address	
		Contact	(+34) 972 394 654
		Date	2022/10/26
Project Name		Client Name	Electropompa
Item NO		Client Addr.	Moscow
		Contacts	
		Contact	

