


hydroo [®]	Product information VDROO150-30	Manufacturer	Hydroo
		Address	
Project Name		Contact	(+34) 972 394 654
		Date	2022/01/20
Station Number		Client Name	GK Electropompa
		Client Addr.	Russia, Moscow
		Contacts	
		Contact	7(495)981-92-44(45)

Product No.	VD150-30R 3700 T 4069 5 2 IE3
-------------	-------------------------------

Product picture(Note: the picture may not be the same as t	Series description
	<p>VDROO is a new series of vertical multistage centrifugal pumps made by Hydroo. It includes different versions: VF, VX, VN and VD and their corresponding pumps sets with motor and with variable frequency drivers.</p> <p>VDROO range has been designed to meet the highest demanding in pumping installations. It has been designed, engineered, industrialized and finally, is being produced in the main factory of Hydroo in Palol de Revardit, Catalonia-Spain.</p>

Performance Data

Rated flow(m ³ /h)	150
Rated head(m)	63
Efficiency(%)	75.8
Rated power(kW)(kW)	34
NPSHr(m)	6.5
Impeller Dia(mm)	151.5
Rate Speed(rpm)	2950
Impeller stage	3
Min. Flow (m ³ /h)	80
Max. Flow (m ³ /h)	180
Max. Efficiency (%)	73
MEI	0,6
Pump Weight (kg)	385

MATERIAL

Impeller/Diffuser/Casing	AISI 904
Rubber code	F
Inlet & Outlet chamber	SS2205

INSTALLATION

Connection Code	R
Connection type	Threaded Round flange
Max. pressure (bar)	16
Low/High Temperature()	-15 / 120
Pressure rating	PN25-40
Inlet & Outlet Connection	DN125
Max. Environment temperatu	40

MOTOR

Number of Motor Phases	3~
Protection Class	IP55
Insulation Class	F
Motor Power (kW)	37
Frequency(Hz)	50
Rated speed(rpm)	2950
Rated voltage (V)	400/690
Rated current (A)	64.0/37.1
cos	0.89
Energy efficiency Level	IE3

hydroo [®]	Product information VDROO150-30	Manufacturer	Hydroo
		Address	
		Contact	(+34) 972 394 654
		Date	2022/01/20
Project Name		Client Name	GK Electropompa
		Client Addr.	Russia, Moscow
Station Number		Contacts	
		Contact	7(495)981-92-44(45)

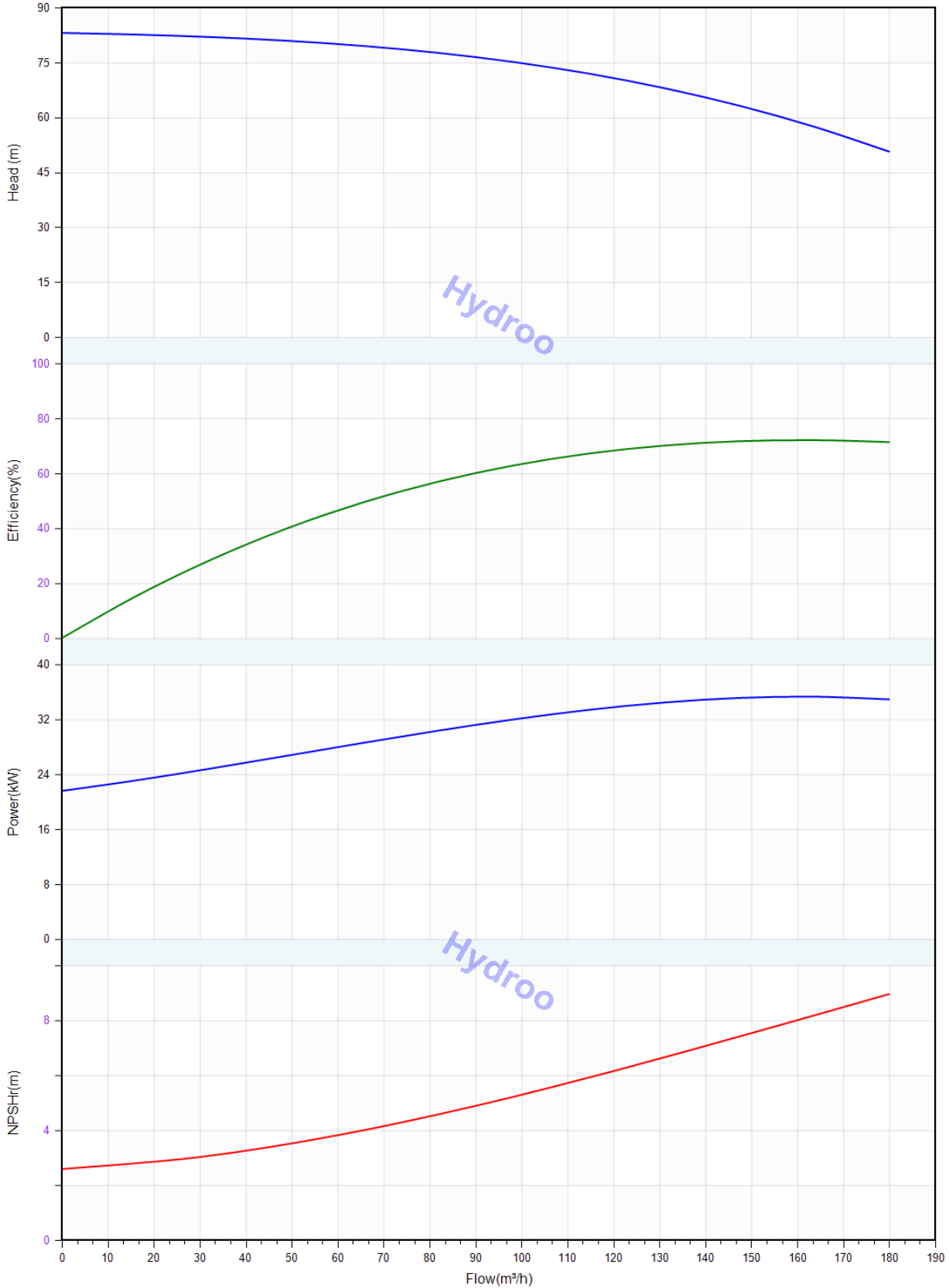
Efficiency100%	93.7
Efficiency75%	93.6
Efficiency50%	92.9
Drive end bearing	6312ZZC3
Non-drive end bearing	7312B
Motor Weight (kg)	270

SEAL

Mechanical Seal	D32 WBF16
-----------------	-----------

hydroo [®]	Performance Curve VDROO150-30	Manufacturer	Hydroo
		Address	
		Contact	(+34) 972 394 654
		Date	2022/01/20
Project Name		Client Name	GK Electropompa
		Client Addr.	Russia, Moscow
Station Number		Contacts	
		Contact	7(495)981-92-44(45)

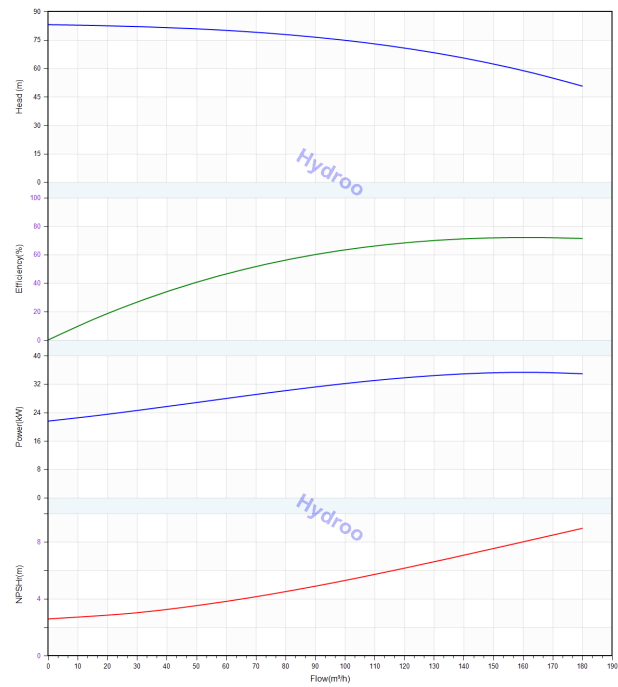
Medium Name Water , Temperature°C, Density1000kg/m³, Viscosity1mm²/s, (IS099062012 Grande 3B)



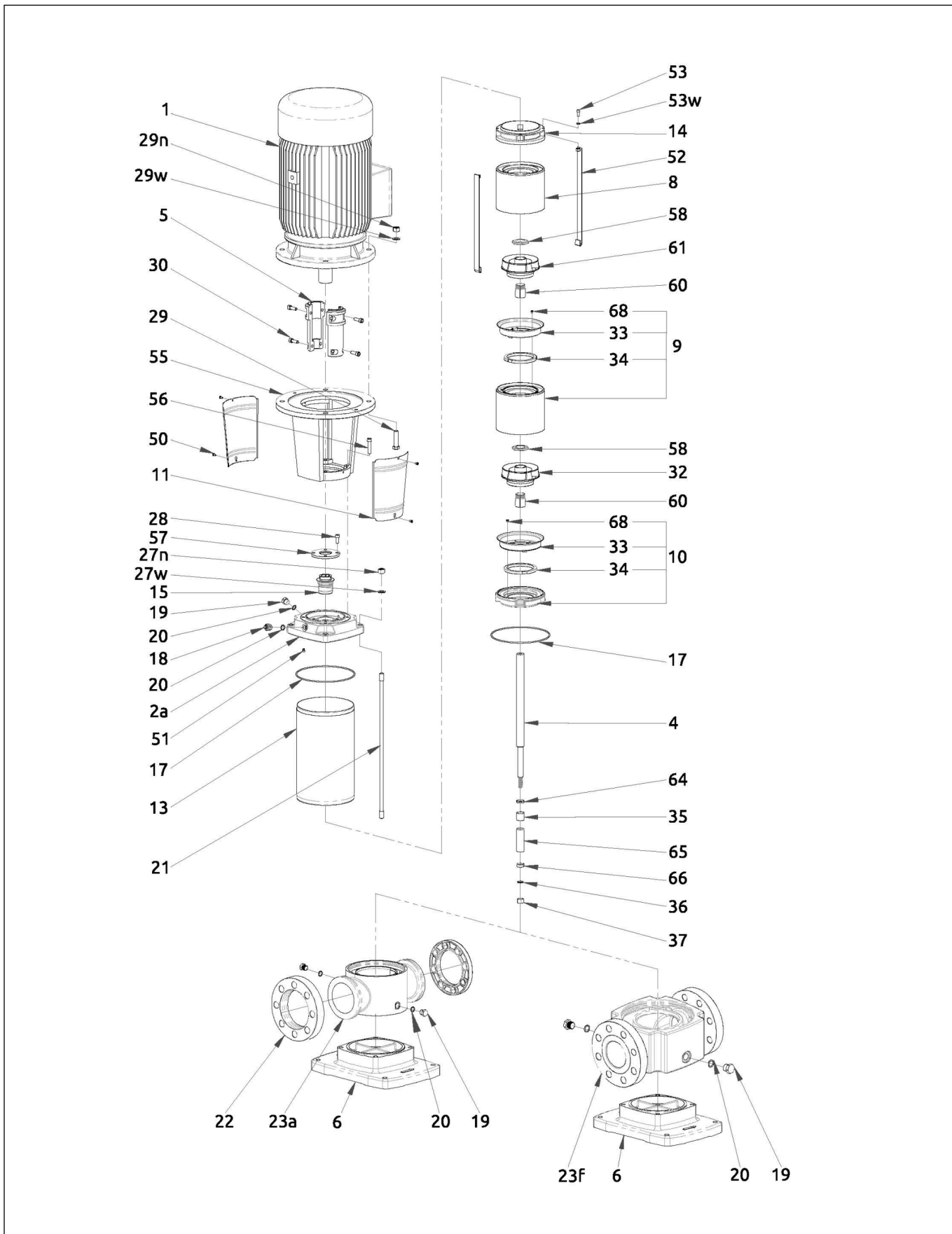
hydroo [®]	Pump technical parameters VDROO150-30	Manufacturer	Hydroo
		Address	
Project Name		Contact	(+34) 972 394 654
		Date	2022/01/20
Station Number		Client Name	GK Electropompa
		Client Addr.	Russia, Moscow
		Contacts	
		Contact	7(495)981-92-44(45)

Rated parameters	
Pump model	VDROO150-30
Product No.	VD150-30R 3700 T 4069 5 2 IE3
Rated flow(m ³ /h)	150
Rated pressure(m)	63
Rated efficiency(%)	75.8
Power(kW)	34
NPSHr(m)	6.5
Speed(rpm)	2950

Medium	
Medium Name	Water
Working temperature(°C)	20
Medium density(kg/m ³)	1000
Viscosity(mm ² /s)	1



hydroo [®]	Structure picture VDROO150-30	Manufacturer	Hydroo
		Address	
Project Name		Contact	(+34) 972 394 654
		Date	2022/01/20
Station Number		Client Name	GK Electropompa
		Client Addr.	Russia, Moscow
		Contacts	
		Contact	7(495)981-92-44(45)



hydroo [®]	Installation picture VDROO150-30	Manufacturer	Hydroo
		Address	
Project Name		Contact	(+34) 972 394 654
		Date	2022/01/20
Station Number		Client Name	GK Electropompa
		Client Addr.	Russia, Moscow
		Contacts	
		Contact	7(495)981-92-44(45)

