


hydroo [®]	Product information VDROO32-80	Manufacturer	Hydroo
		Address	
		Contact way	(+34) 972 394 654
		Date	2020/03/23
Project Name		Client Name	
		Client Addr.	
Station Number		Contacts	
		Contact way	

Product No.	VD32-80R 1500 T 4069 5 2 IE3		
Product picture(Note: the picture may not be the same as the actual product.)	Series description		
	<p>VDROO is a new series of vertical multistage centrifugal pumps made by Hydroo. It includes different versions: VF, VX, VN and VD and their corresponding pumps sets with motor and with variable frequency drivers.</p> <p>VDROO range has been designed to meet the highest demanding in pumping installations. It has been designed, engineered, industrialized and finally, is being produced in the main factory of Hydroo in Palol de Revardit, Catalonia-Spain.</p>		

Performance Date

Rated flow(m ³ /h)	32
Rated head(m)	109
Efficiency(%)	68.2
Rated power(kW)(kW)	14
NPSHr(m)	2
Impeller Dia(mm)	118.2
Rate Speed(rpm)	2900
Impeller stage	8
Min. Flow (m ³ /h)	16
Max. Flow (m ³ /h)	40
Max. Efficiency (%)	73
MEI	0,7
Pump Weight (kg)	203

MATERIAL

Impeller/Diffuser/Casing	AISI 904
Rubber code	F
Inlet & Outlet chamber	SS2205

INSTALLATION

Connection Code	R
Connection type	Threaded Round flange
Max. pressure (bar)	29
Low/High Temperature()	-15 / 120
Pressure rating	PN25-40
Inlet & Outlet Connection s	DN65
Max. Environment temperatur	40

MOTOR

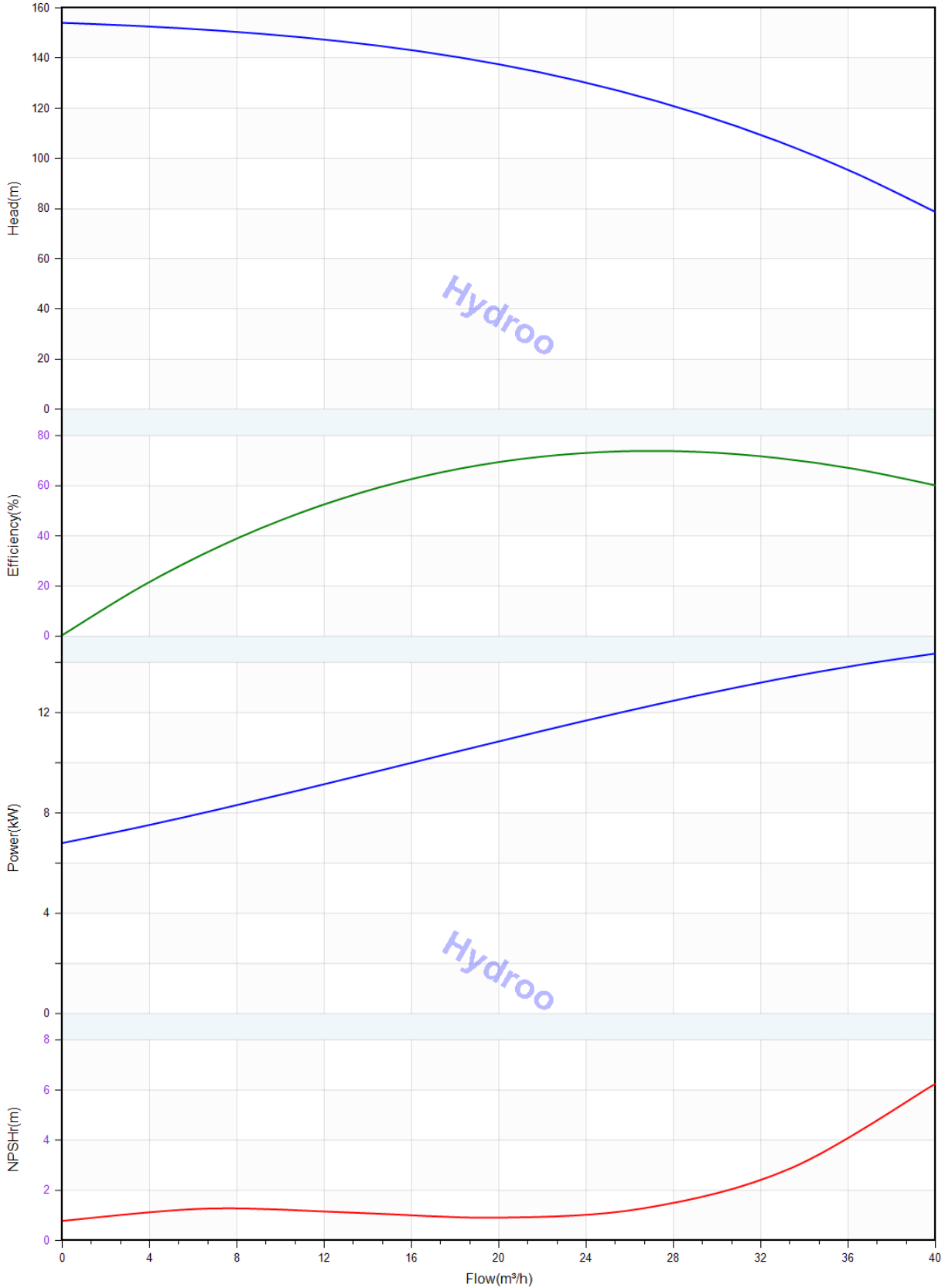
Number of Motor Phases	3~
Protection Class	IP55
Insulation Class	F
Motor Power (kW)	15
Frequency(Hz)	50
Rated speed(rpm)	2900
Rated voltage (V)	400/690
Rated current (A)	26.5/15.3
cos	0.89
Energy efficiency Level	IE3

hydroo [®]	Product information VDROO32-80	Manufacturer	Hydroo
		Address	
		Contact way	(+34) 972 394 654
		Date	2020/03/23
Project Name		Client Name	
		Client Addr.	
Station Number		Contacts	
		Contact way	

Efficiency100%	91.9
Efficiency75%	91.8
Efficiency50%	90.8
Drive end bearing	7309B
Non-drive end bearing	6309ZZC3
Motor Weight (kg)	132
SEAL	
Mechanical Seal	D22 WBF16

hydroo [®]	Performance Curve VDROO32-80	Manufacturer	Hydroo
		Address	
		Contact way	(+34) 972 394 654
		Date	2020/03/23
Project Name		Client Name	
		Client Addr.	
Station Number		Contacts	
		Contact way	

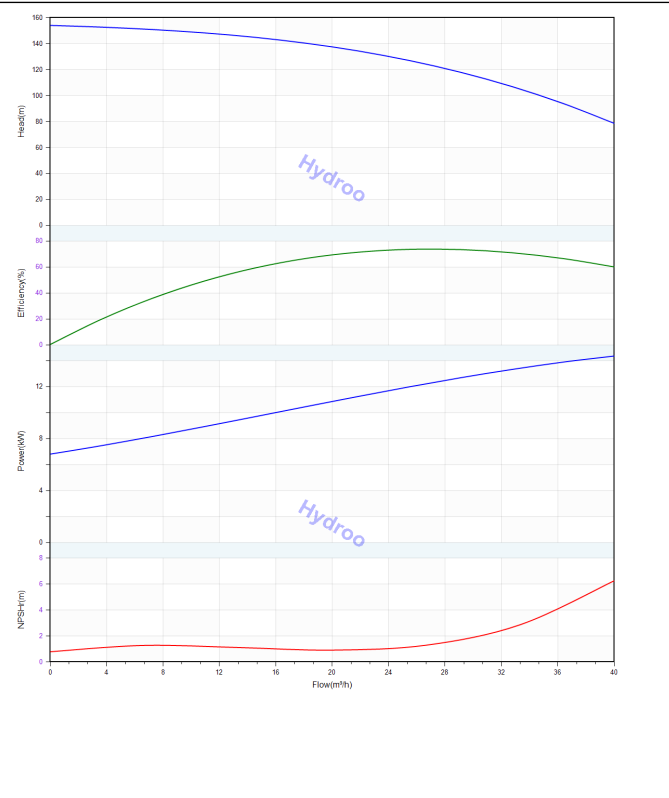
Medium Name Temperature °C, Density 1000 kg/m³ Viscosity 1 mm²/s (ISO 9906 2012 Grande 3B)



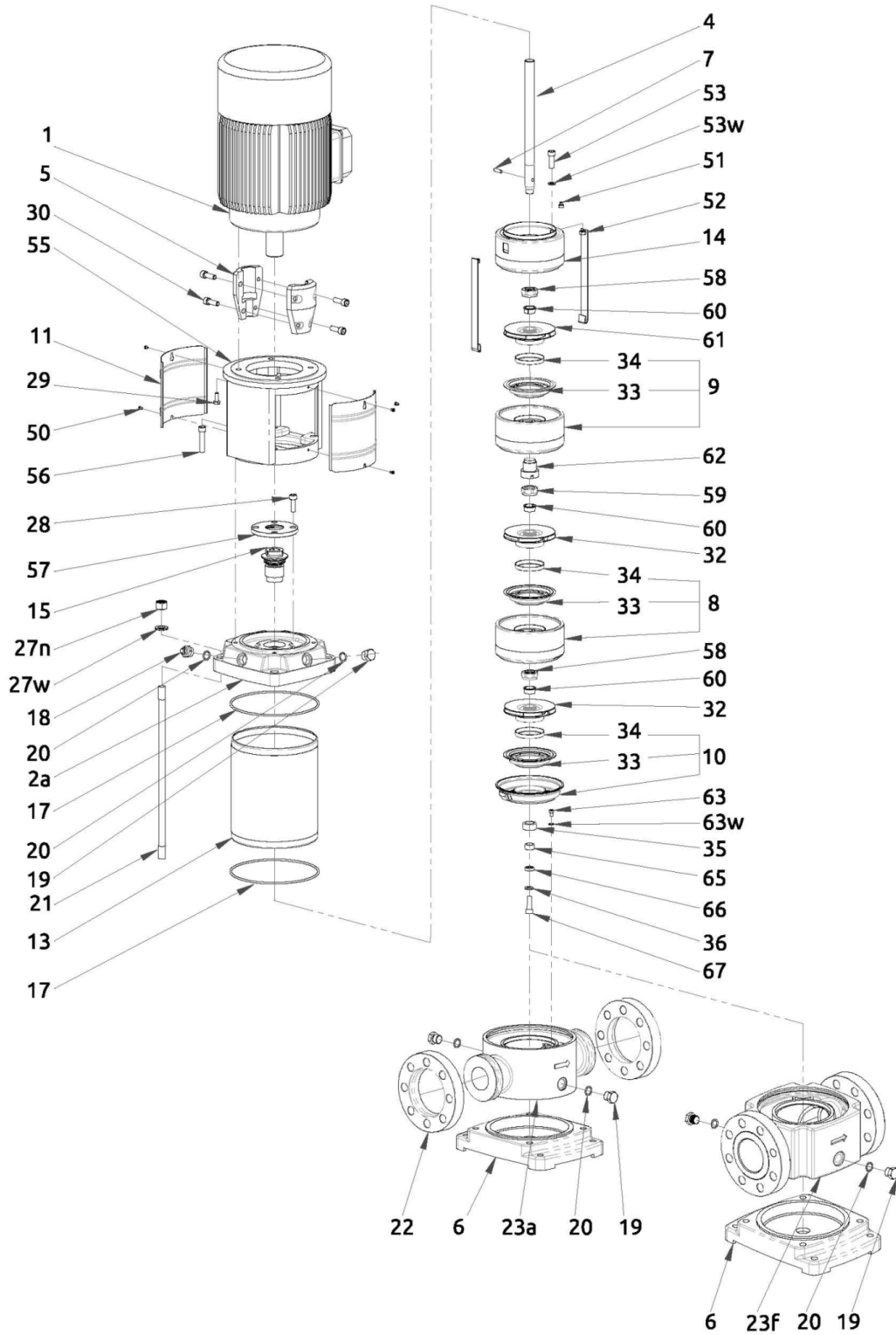
hydroo [®]	Pump technical parameters VDROO32-80	Manufacturer	Hydroo
		Address	
Project Name		Contact way	(+34) 972 394 654
		Date	2020/03/23
Station Number		Client Name	
		Client Addr.	
		Contacts	
		Contact way	

Rated parameters	
Pump model	VDROO32-80
Product No.	VD32-80R I500 T 4069 5 2 IE3
Rated flow(m ³ /h)	32
Rated pressure(m)	109
Rated efficiency(%)	68.2
Power(kW)	14
NPSHr(m)	2
Speed(rpm)	2900

Medium	
Medium Name	clear water
Working temperature(°C)	20
Medium density(kg/m ³)	1000
Viscosity(mm ² /s)	1



hydroo [®]	Structure picture VDROO32-80	Manufacturer	Hydroo
		Address	
		Contact way	(+34) 972 394 654
		Date	2020/03/23
Project Name		Client Name	
Station Number		Client Addr.	
		Contacts	
		Contact way	



hydroo [®]	Installation drawing VDROO32-80	Manufacturer	Hydroo
		Address	
Project Name		Contact way	(+34) 972 394 654
		Date	2020/03/23
Station Number		Client Name	
		Client Addr.	
		Contacts	
		Contact way	

