


hydroo [®]	Product Information VDROO20-8	Manufacturer	Hydroo
		Address	
		Contact	(+34) 972 394 654
		Date	2023/04/25
Project Name		Client Name	Electropompa
		Client Addr.	
Item NO		Contacts	
		Contact	

Part NO.	VX20-8R 1100 T 4069 5 2 IE3
----------	-----------------------------

Product Picture	Note
	<p>VDROO is a new series of vertical multistage centrifugal pumps made by Hydroo. It includes different versions: VF, VX, VN and VD and their corresponding pumps sets with motor and with variable frequency drivers.</p> <p>VDROO range has been designed to meet the highest demanding in pumping installations. It has been designed, engineered, industrialized and finally, is being produced in the main factory of Hydroo in Palol de Revardit, Catalonia-Spain.</p>

Nameplate parameters

flow	20 m ³ /h
head	95 m
Efficiency	72
speed	2900
number of stages	8

Rated parameters

Min. Flow (m ³ /h)	10
Max. Flow (m ³ /h)	29
Max. Efficiency (%)	73
MEI	≥ 0,7
Pump Weight (kg)	160

MATERIAL

Impeller/Diffuser/Casing	AISI 304
Rubber code	E
Inlet & Outlet chamber	AISI 304

INSTALLATION

Connection Code	R
Connection type	Threaded Round flange
Max. pressure (bar)	23
Low/High Temperature (°C)	-15 / 120
Pressure rating	PN25-40
Inlet & Outlet Connection	DN50
Max. Environment temperatu	40

MOTOR

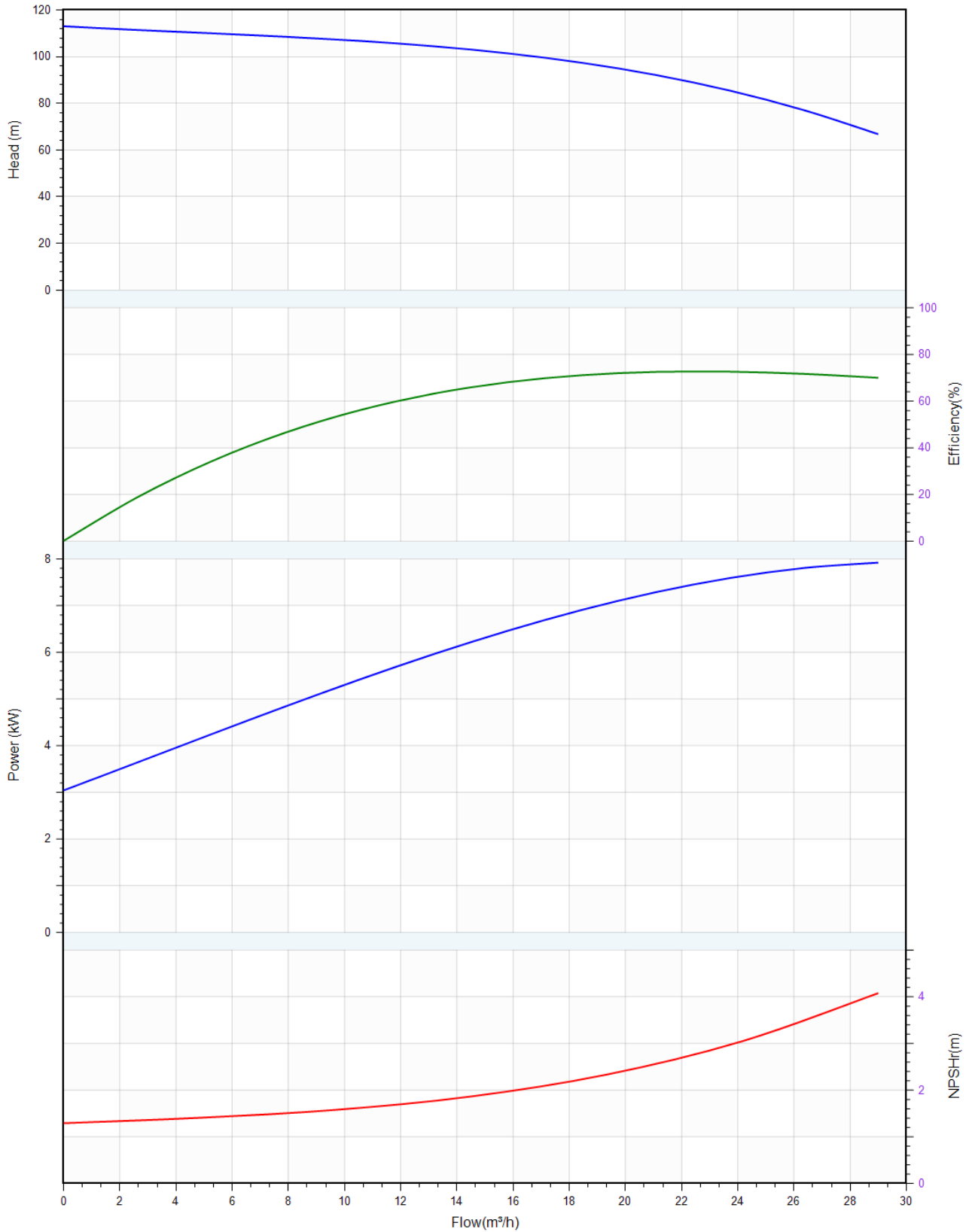
Number of Motor Phases	3~
Protection Class	IP55
Insulation Class	F
Motor power (kw)	11
Frequency(Hz)	50
Rated speed(rpm)	2900
Rated voltage (V)	400/690
Rated current (a)	19.6/11.3
cosφ	0.89
Energy efficiency Level	IE3
Efficiency100%	91.2

hydroo [®]	Product Information VDROO20-8	Manufacturer	Hydroo
		Address	
		Contact	(+34) 972 394 654
		Date	2023/04/25
Project Name		Client Name	Electropompa
		Client Addr.	
Item NO		Contacts	
		Contact	

Efficiency75%	91.1
Efficiency50%	89.9
Drive end bearing	7309B
Non-drive end bearing	6309ZZC3
Motor Weight (kg)	117
SEAL	
Mechanical seal	D16 WBE4

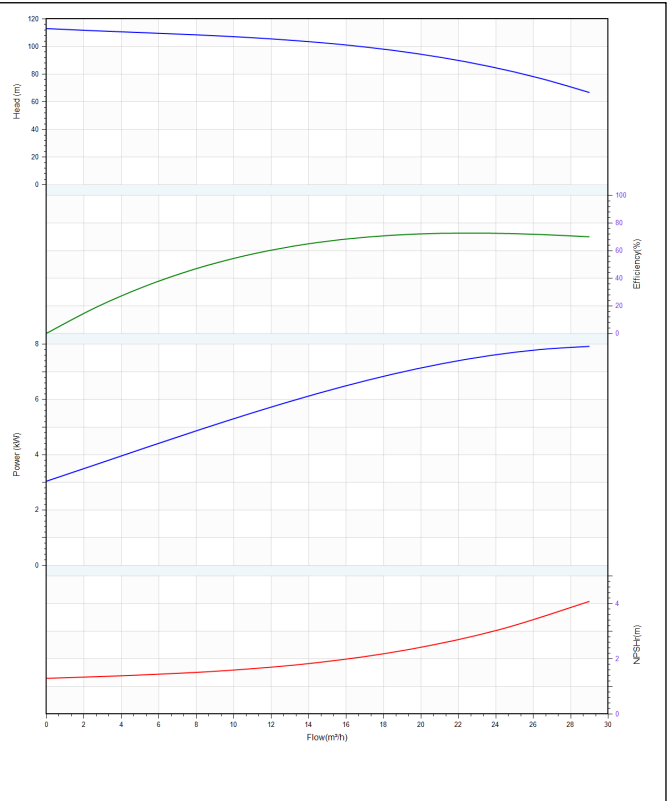
hydroo [®]	Performance Curve VDROO20-8	Manufacturer	Hydroo
		Address	
		Contact	(+34) 972 394 654
		Date	2023/04/25
Project Name		Client Name	Electropompa
Item NO		Client Addr.	
		Contacts	
		Contact	

The hydraulic performance curve have been tested with Water at $^{\circ}\text{C}$, density 1000kg/m^3 , and at 1bar atmospheric pressure. GB32162016 Grande 3B

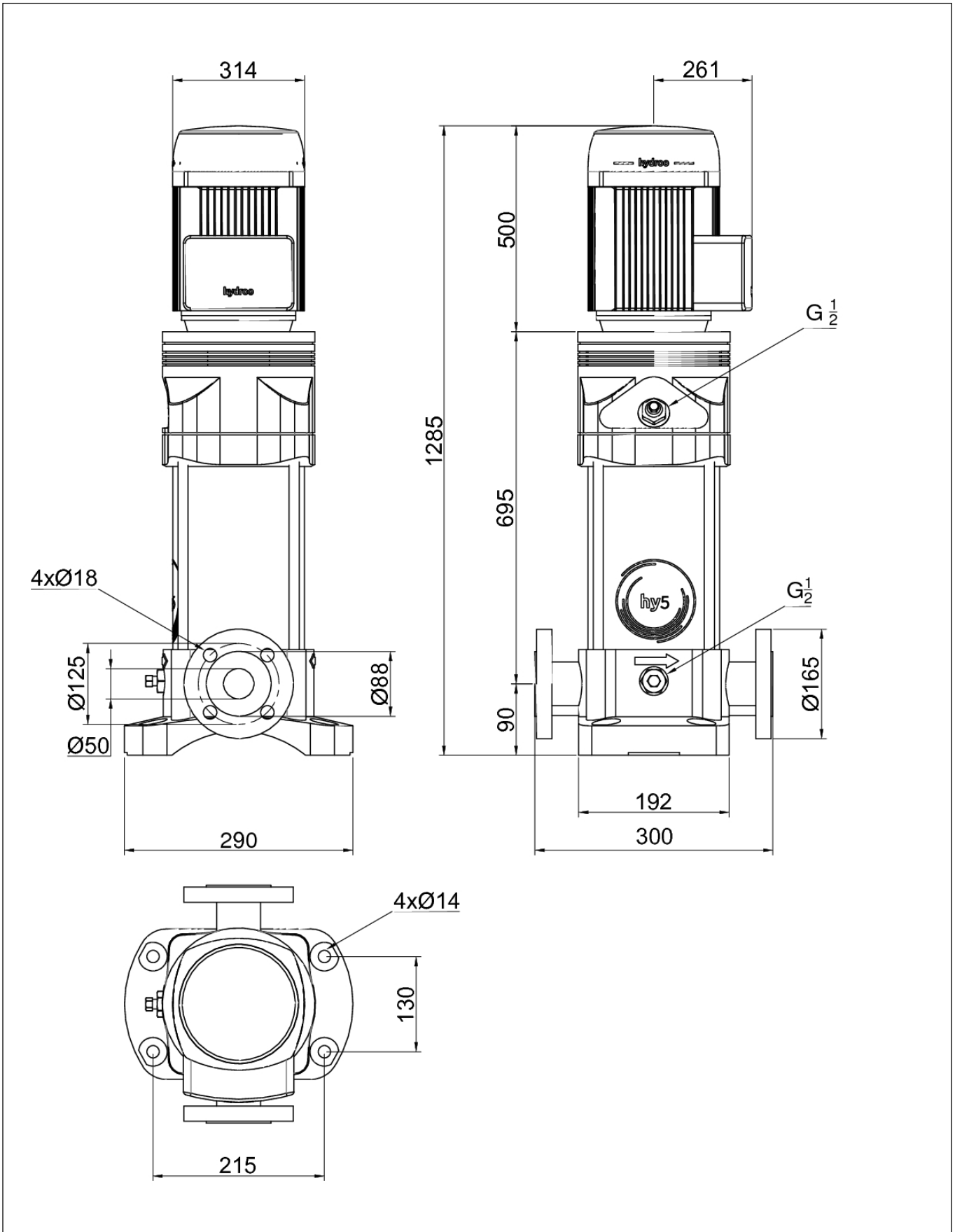


hydroo [®]	Pump Technical Parameters VDROO20-8	Manufacturer	Hydroo
		Address	
		Contact	(+34) 972 394 654
		Date	2023/04/25
Project Name		Client Name	Electropompa
Item NO		Client Addr.	
		Contacts	
		Contact	

Rated parameters	
Pump model	VDROO20-8
Part NO.	VX20-8R 1100 T 4069 5 2 IE3
Rated flow	20 m ³ /h
Rated head	95 m
Rated efficiency (%)	72
Power (kW)	7.19
NPSHr (m)	2.5
Speed (rpm)	2900
Max impeller diameter (mm)	106
Medium	
Pumped medium	Water
Working temperature (°C)	20
Medium density (kg/m ³)	1000
Viscosity (mm ² /s)	1



hydroo [®]	Installation picture VDROO20-8	Manufacturer	Hydroo
		Address	
		Contact	(+34) 972 394 654
		Date	2023/04/25
Project Name		Client Name	Electropompa
Item NO		Client Addr.	
		Contacts	
		Contact	



hydroo[®]

Structure picture
VDROO20-8

Manufacturer Hydroo

Address

Contact (+34) 972 394 654

Date 2023/04/25

Project Name

Client Name

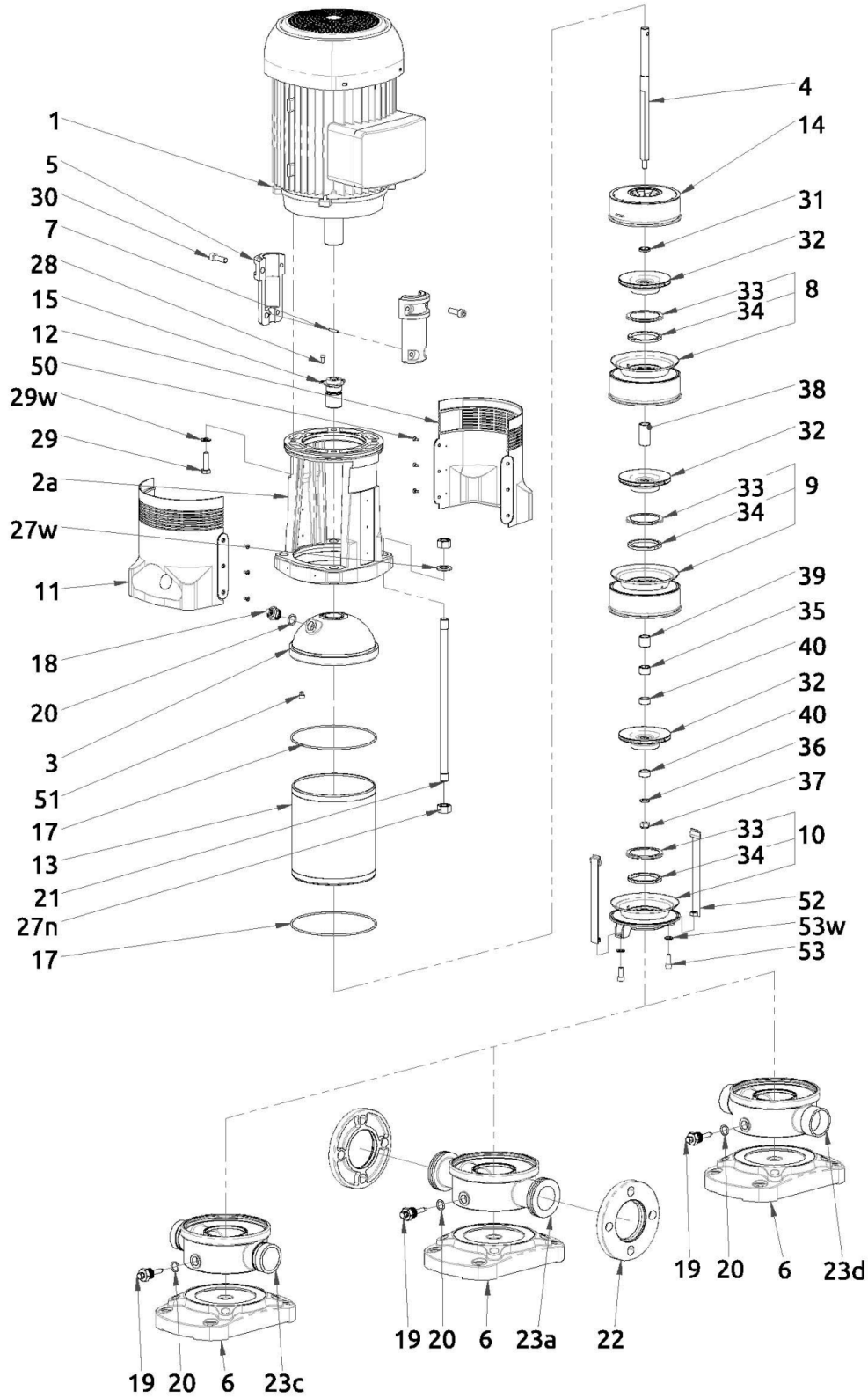
Electropompa

Client Addr.

Item NO

Contacts

Contact



hydroo [®]	Physical picture VDROO20-8	Manufacturer	Hydroo
		Address	
		Contact	(+34) 972 394 654
		Date	2023/04/25
Project Name		Client Name	Electropompa
Item NO		Client Addr.	
		Contacts	
		Contact	

