


<b>hydroo</b> <sup>®</sup>	<b>Product Information</b> <b>VDROO210-30</b>	Manufacturer	Hydroo
		Address	
		Contact	(+34) 972 394 654
		Date	2023/03/06
<b>Project Name</b>		Client Name	Electropompa
		Client Addr.	Moscow
<b>Item NO</b>		Contacts	
		Contact	

Part NO.	VF210-30R 9000 T 4069 5 2 IE3
----------	-------------------------------

Product Picture	Note
	<p>VDROO is a new series of vertical multistage centrifugal pumps made by Hydroo. It includes different versions: VF, VX, VN and VD and their corresponding pumps sets with motor and with variable frequency drivers.</p> <p>VDROO range has been designed to meet the highest demanding in pumping installations. It has been designed, engineered, industrialized and finally, is being produced in the main factory of Hydroo in Palol de Revardit, Catalonia-Spain.</p>

### Nameplate parameters

flow	210 m <sup>3</sup> /h
head	101 m
Efficiency	80.8
speed	2950
number of stages	3

### Rated parameters

Min. Flow (m <sup>3</sup> /h)	100
Max. Flow (m <sup>3</sup> /h)	240
Max. Efficiency (%)	79
MEI	≥ 0,6
Pump Weight (kg)	817

### MATERIAL

Impeller/Diffuser/Casing	AISI 304
Rubber code	F
Inlet & Outlet chamber	ASTM 80-55-06

### INSTALLATION

Connection Code	R
Connection type	Threaded Round flange
Max. pressure (bar)	16
Low/High Temperature (°C)	-15 / 120
Pressure rating	PN25-40
Inlet & Outlet Connection	DN150
Max. Environment temperatu	40

### MOTOR

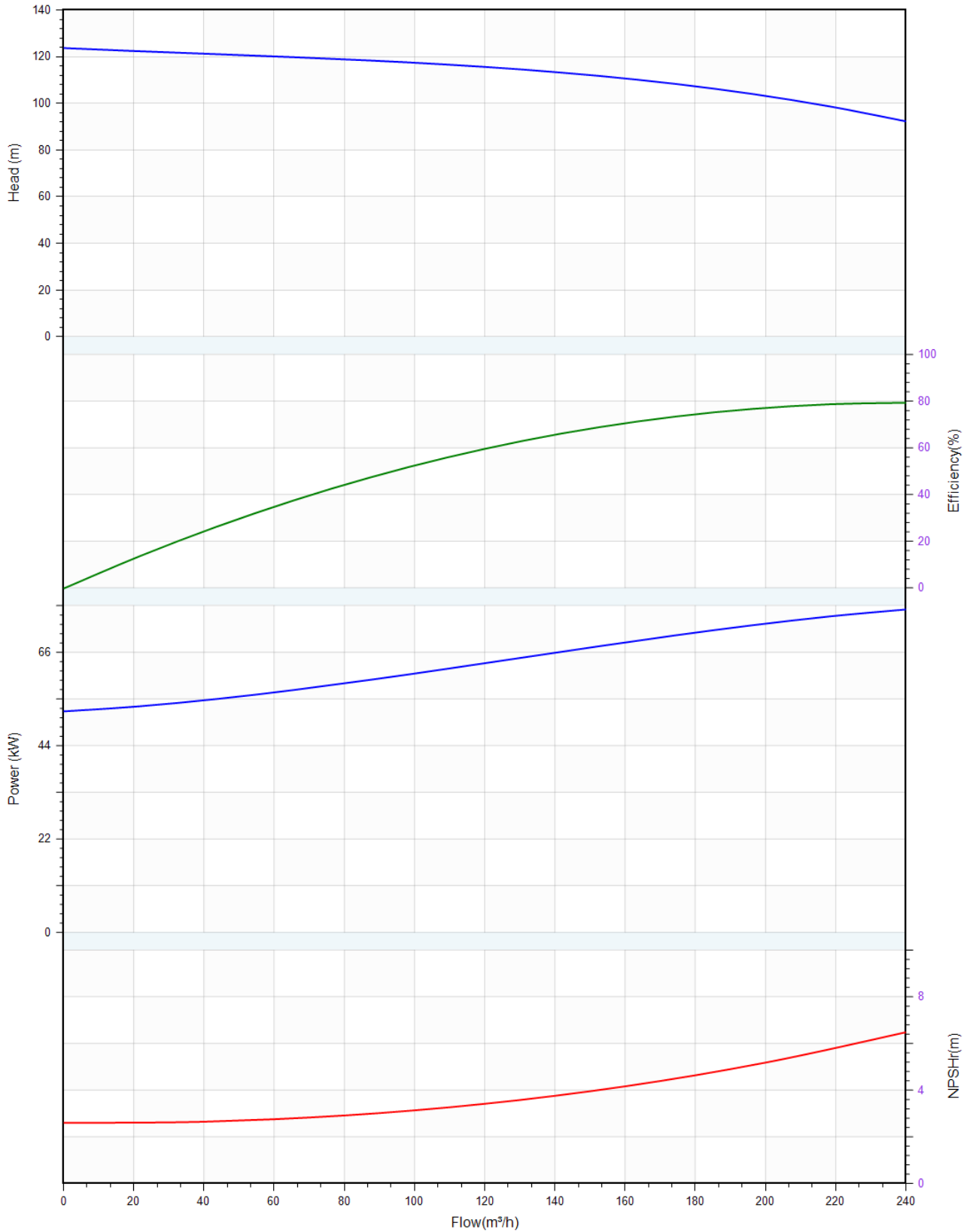
Number of Motor Phases	3~
Protection Class	IP55
Insulation Class	F
Motor power (kw)	90
Frequency(Hz)	50
Rated speed(rpm)	2950
Rated voltage (V)	400/690
Rated current (a)	152/88.1
cosφ	0.9
Energy efficiency Level	IE3
Efficiency100%	95

<b>hydroo</b> <sup>®</sup>	<b>Product Information</b> <b>VDROO210-30</b>	Manufacturer	Hydroo
		Address	
		Contact	(+34) 972 394 654
		Date	2023/03/06
<b>Project Name</b>		Client Name	Electropompa
		Client Addr.	Moscow
<b>Item NO</b>		Contacts	
		Contact	

Efficiency75%	95.2
Efficiency50%	94.6
Drive end bearing	6314ZZC3
Non-drive end bearing	7317B
Motor Weight (kg)	560
<b>SEAL</b>	
Mechanical seal	D32 WBF16

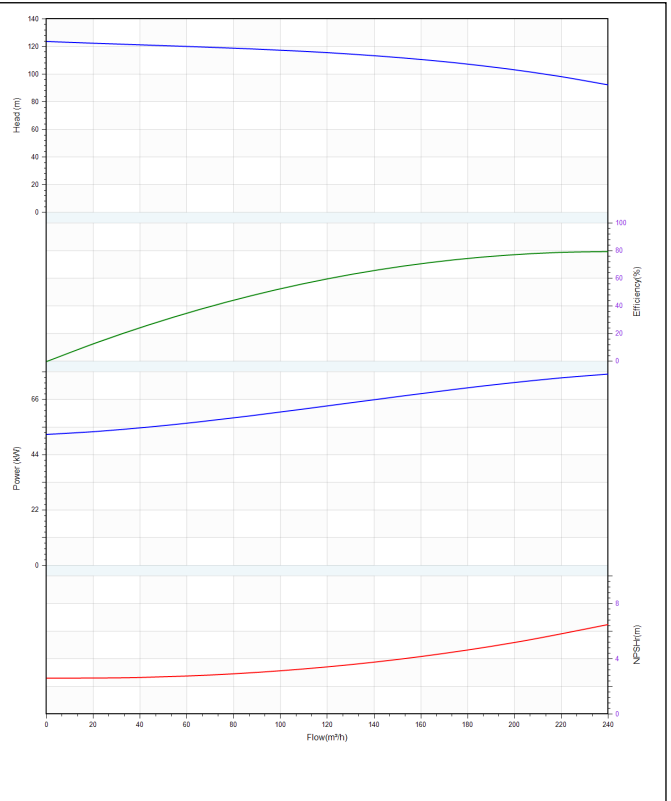
<b>hydroo</b> <sup>®</sup>	<b>Performance Curve</b> <b>VDROO210-30</b>	Manufacturer	Hydroo
		Address	
		Contact	(+34) 972 394 654
		Date	2023/03/06
<b>Project Name</b>		Client Name	Electropompa
		Client Addr.	Moscow
<b>Item NO</b>		Contacts	
		Contact	

The hydraulic performance curve have been tested with Water at °C, density 1000kg/m<sup>3</sup>, and at 1bar atmospheric pressure. GB32162016 Grande 3B

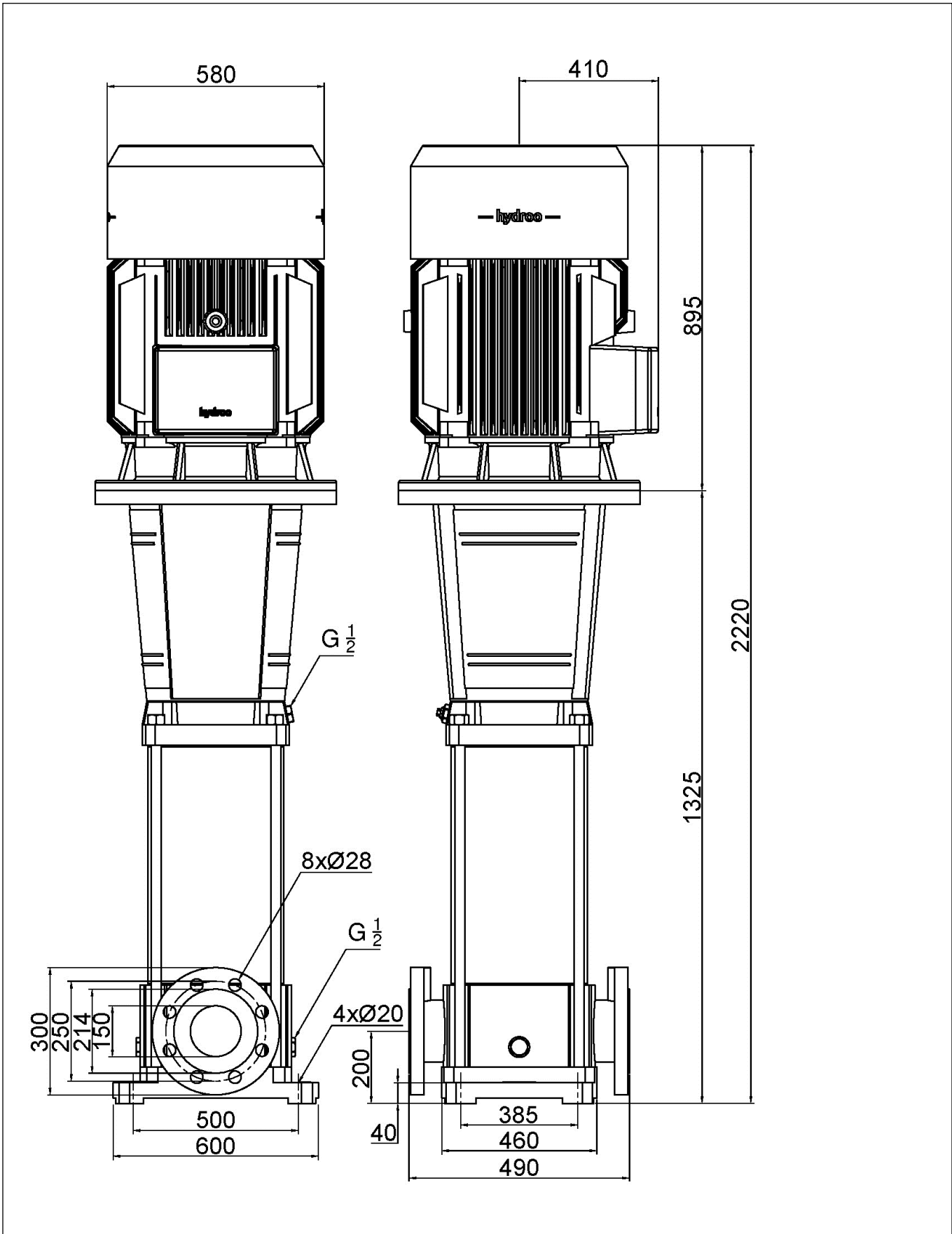


<b>hydroo</b> <sup>®</sup>	<b>Pump Technical Parameters</b> <b>VDROO210-30</b>	Manufacturer	Hydroo
		Address	
		Contact	(+34) 972 394 654
		Date	2023/03/06
<b>Project Name</b>		Client Name	Electropompa
<b>Item NO</b>		Client Addr.	Moscow
		Contacts	
		Contact	

Rated parameters	
Pump model	VDROO210-30
Part NO.	VF210-30R 9000 T 4069 5 2 IE3
Rated flow	210 m <sup>3</sup> /h
Rated head	101 m
Rated efficiency (%)	80.8
Power (kW)	71.5
NPSHr (m)	6
Speed (rpm)	2950
Max impeller diameter (mm)	189
Medium	
Pumped medium	Water
Working temperature (°C)	20
Medium density (kg/m <sup>3</sup> )	1000
Viscosity (mm <sup>2</sup> /s)	1



<b>hydroo</b> <sup>®</sup>	<b>Installation picture</b> <b>VDROO210-30</b>	Manufacturer	Hydroo
		Address	
		Contact	(+34) 972 394 654
		Date	2023/03/06
Project Name		Client Name	Electropompa
		Client Addr.	Moscow
Item NO		Contacts	
		Contact	



# hydroo®

## Structure picture VDROO210-30

Manufacturer Hydroo

Address

Contact (+34) 972 394 654

Date 2023/03/06

Project Name

Client Name

Electropompa

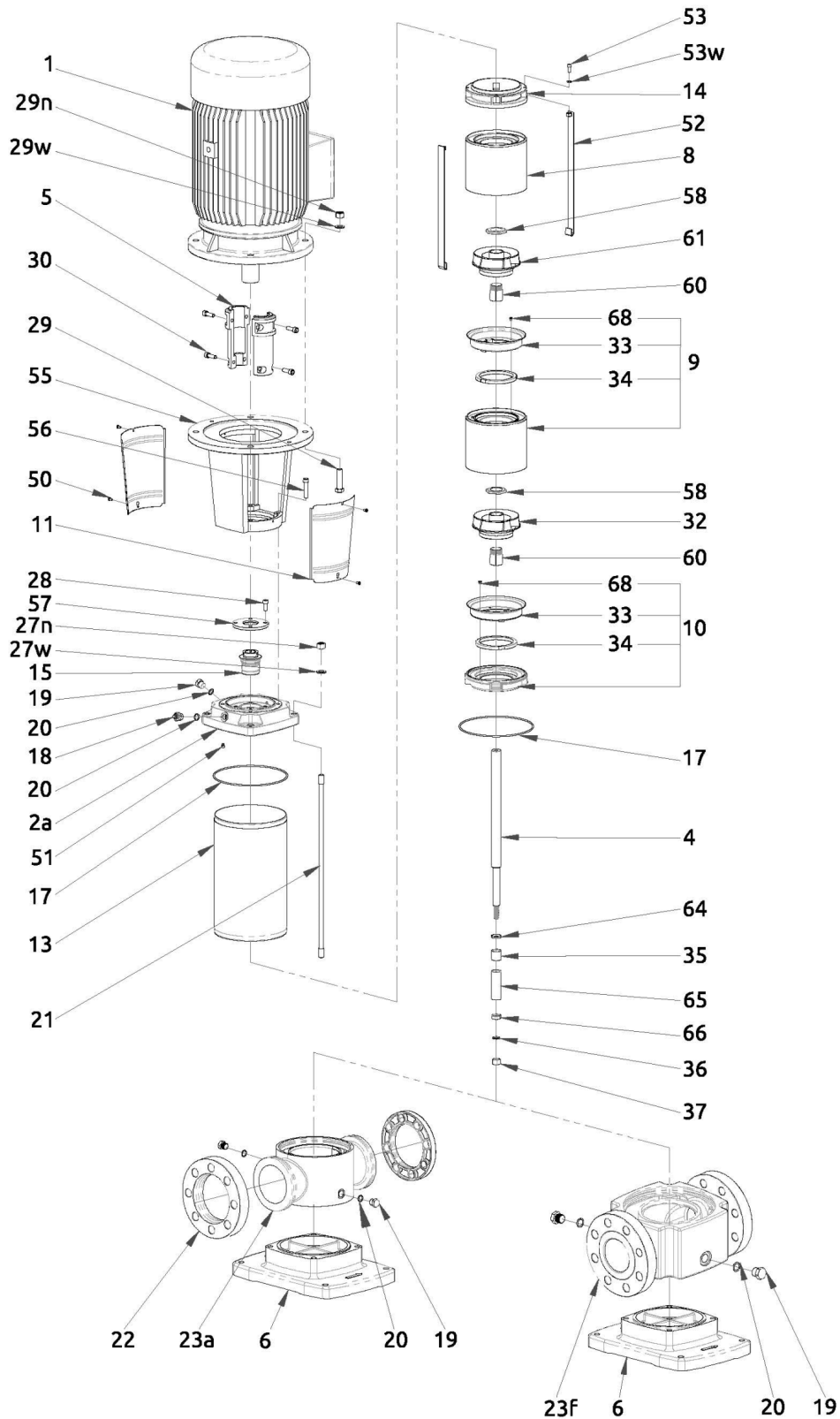
Client Addr.

Moscow

Item NO

Contacts

Contact



<b>hydroo</b> <sup>®</sup>	<b>Physical picture</b> <b>VDROO210-30</b>	Manufacturer	Hydroo
		Address	
		Contact	(+34) 972 394 654
		Date	2023/03/06
<b>Project Name</b>		Client Name	Electropompa
		Client Addr.	Moscow
<b>Item NO</b>		Contacts	
		Contact	

