


hydroo [®]	Product Information VDROO90-30-2	Manufacturer	Hydroo
		Address	
		Contact	(+34) 972 394 654
		Date	2022/04/21
Project Name		Client Name	GK Electropompa
		Client Addr.	Russia, Moscow
Item NO		Contacts	
		Contact	7(495)981-92-44(45)

Part NO.	VD90-30-2R 1850 T 4069 5 2 IE3
----------	--------------------------------

Product Picture	Note
	<p>VDROO is a new series of vertical multistage centrifugal pumps made by Hydroo. It includes different versions: VF, VX, VN and VD and their corresponding pumps sets with motor and with variable frequency drivers.</p> <p>VDROO range has been designed to meet the highest demanding in pumping installations. It has been designed, engineered, industrialized and finally, is being produced in the main factory of Hydroo in Palol de Revardit, Catalonia-Spain.</p>

Nameplate parameters

flow	90 m ³ /h
head	49 m
speed	2900
number of stages	3

Performance Data

Min. Flow (m ³ /h)	50
Max. Flow (m ³ /h)	110
Max. Efficiency (%)	77
MEI	≥ 0,6
Pump Weight (kg)	215

MATERIAL

Impeller/Diffuser/Casing	AISI 904
Rubber code	F
Inlet & Outlet chamber	SS2205

INSTALLATION

Connection Code	R
Connection type	Threaded Round flange
Max. pressure (bar)	17
Low/High Temperature (°C)	-15 / 120
Pressure rating	PN16
Inlet & Outlet Connection	DN100
Max. Environment temperatu	40

MOTOR

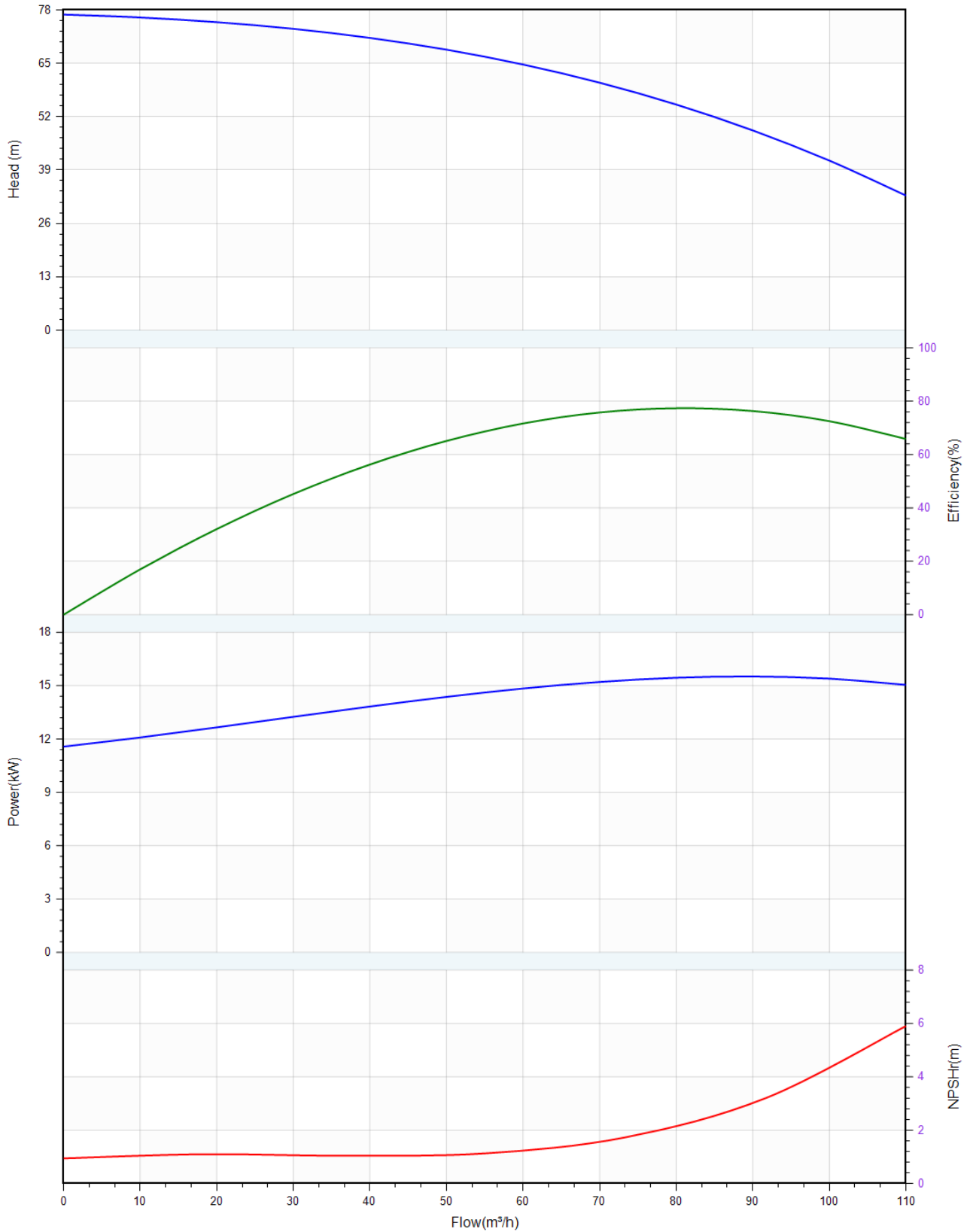
Number of Motor Phases	3~
Protection Class	IP55
Insulation Class	F
Motor Power (kW)	18.5
Frequency(Hz)	50
Rated speed(rpm)	2900
Rated voltage (V)	400/690
Rated current (A)	32.5/18.8
cosφ	0.89
Energy efficiency Level	IE3
Efficiency100%	92.4
Efficiency75%	92.3

hydroo [®]	Product Information VDROO90-30-2	Manufacturer	Hydroo
		Address	
		Contact	(+34) 972 394 654
		Date	2022/04/21
Project Name		Client Name	GK Electropompa
		Client Addr.	Russia, Moscow
Item NO		Contacts	
		Contact	7(495)981-92-44(45)

Efficiency50%	91.4
Drive end bearing	7309B
Non-drive end bearing	6309ZZC3
Motor Weight (kg)	140
SEAL	
Mechanical Seal	D22 WBF16

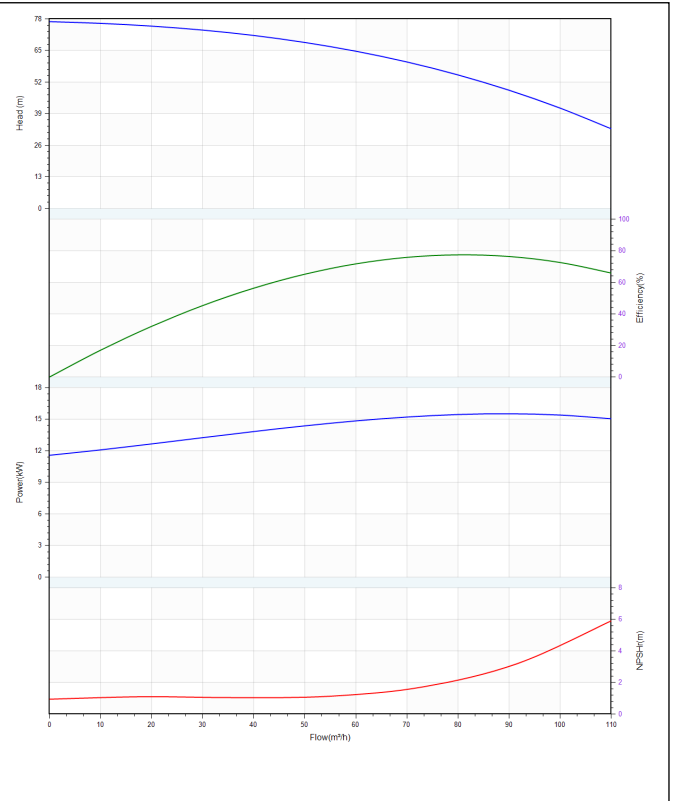
hydroo [®]	Performance Curve VDROO90-30-2	Manufacturer	Hydroo
		Address	
		Contact	(+34) 972 394 654
		Date	2022/04/21
Project Name		Client Name	GK Electropompa
		Client Addr.	Russia, Moscow
Item NO		Contacts	
		Contact	7(495)981-92-44(45)

The hydraulic performance curve have been tested with Water at °C, density 1000kg/m³, and at 1bar atmospheric pressure. GB32162016 Grande 3B

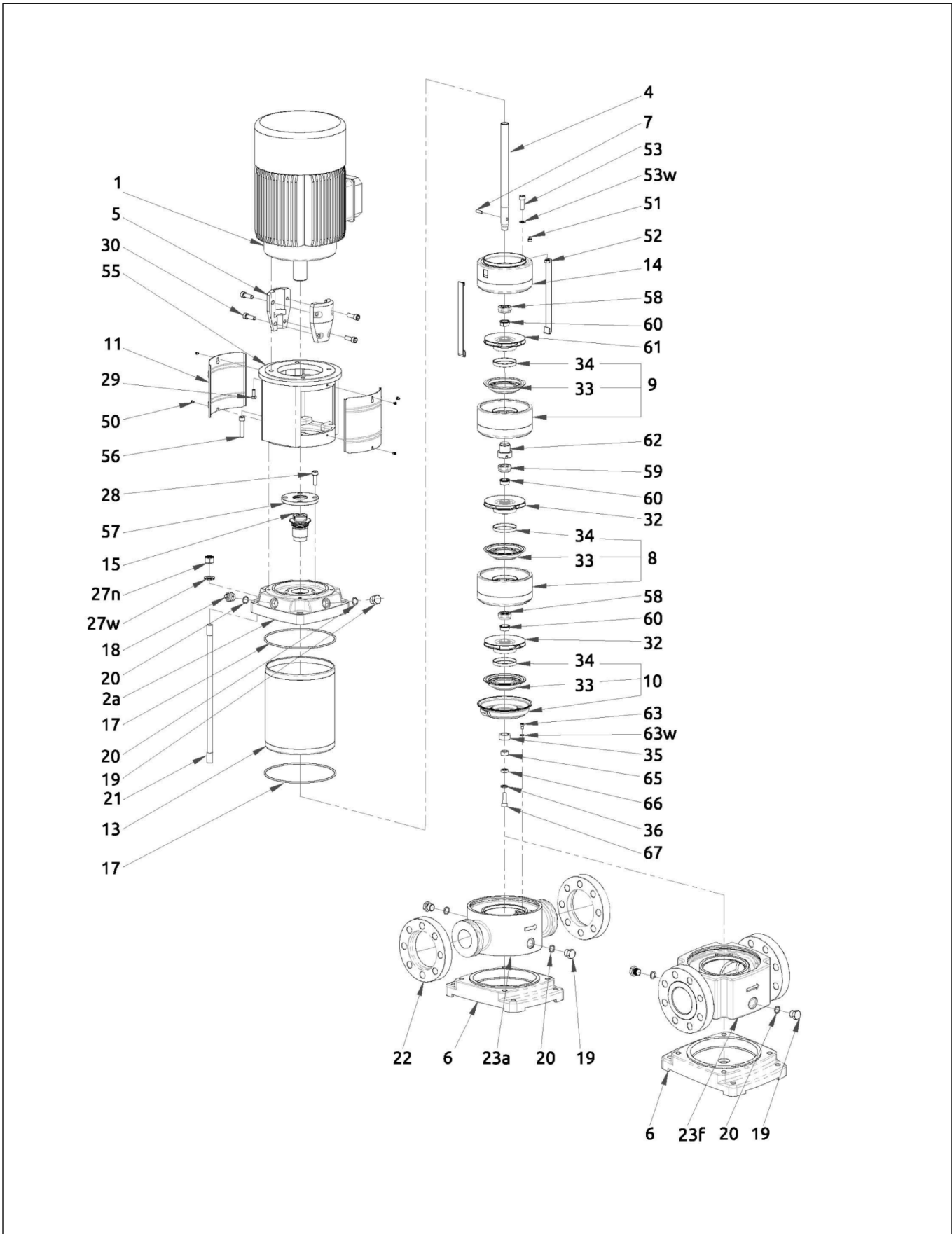


hydroo [®]	Pump Technical Parameters VDROO90-30-2	Manufacturer	Hydroo
		Address	
		Contact	(+34) 972 394 654
		Date	2022/04/21
Project Name		Client Name	GK Electropompa
		Client Addr.	Russia, Moscow
Item NO		Contacts	
		Contact	7(495)981-92-44(45)

Rated parameters	
Pump model	VDROO90-30-2
Part NO.	VD90-30-2R 1850 T 4069 5 2 IE3
Rated flow	90 m ³ /h
Rated head	49 m
Rated efficiency (%)	73.9
Power (kW)	16.26
NPSHr (m)	2.5
Speed (rpm)	2900
Max impeller diameter (mm)	146
Medium	
Pumped medium	Water
Working temperature (°C)	20
Medium density (kg/m ³)	1000
Viscosity (mm ² /s)	1



hydroo [®]	Structure picture VDROO90-30-2	Manufacturer	Hydroo
		Address	
		Contact	(+34) 972 394 654
		Date	2022/04/21
Project Name		Client Name	GK Electropompa
		Client Addr.	Russia, Moscow
Item NO		Contacts	
		Contact	7(495)981-92-44(45)



hydroo [®]	Installation picture VDROO90-30-2	Manufacturer	Hydroo
		Address	
		Contact	(+34) 972 394 654
		Date	2022/04/21
Project Name		Client Name	GK Electropompa
		Client Addr.	Russia, Moscow
Item NO		Contacts	
		Contact	7(495)981-92-44(45)

