



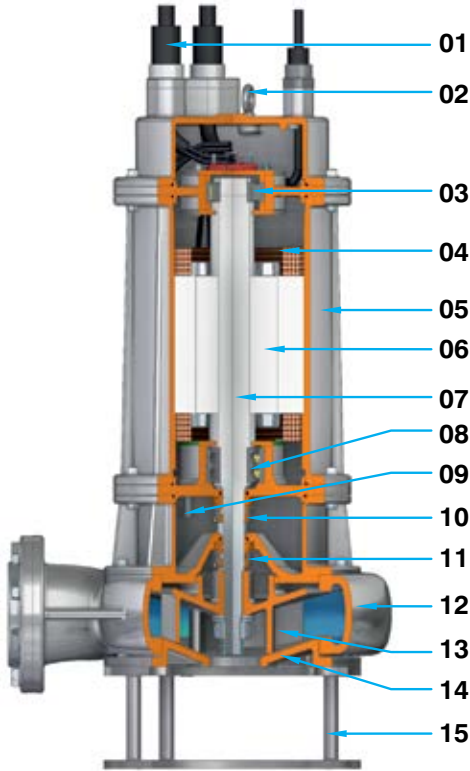
The SS & DS Series pumps use highly corrosion-resistant materials for all parts that are exposed to fluids, perfect for sea water applications.

Head upto 65 meters
Capacity upto 4000 m³/hr
HP upto 250
Solid size 100 mm
MOC Duplex Stainless Steel

Seawater dewatering
Desalination plants, Ports & Dockyards
Seawater intake for power plants
Coastal projects

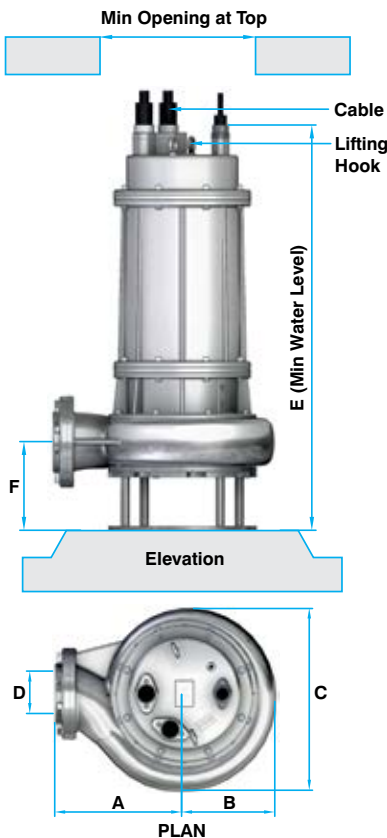


Cross Section



NO.	DESCRIPTION	MATERIAL
01	POWER & CONTROL CABLE	PVC. INSU. SHEATHED
02	LIFTING HOOK	S.S. 304
03	BALL BEARING (N.D.E.)	FAG. (GREASE LUB.)
04	THERMISTOR SENSOR (WTD)	GHANACON
05	STATOR BODY	S.S. 304 / S.S. 316
06	ROTOR	ALU. DYE-CAST
07	ROTOR SHAFT	S.S. 410
08	BALL BEARING (D.E.)	FAG. (GREASE LUB.)
09	MOISTURE / SEAL LEAKAGE SENSOR (PSLD)	ALU. PROBE
10	MECH. SEAL (UPPER)	CR / SS
11	MECH. SEAL (LOWER)	SIC / SIC
12	VOLUTE	S.S. 304 / S.S. 316
13	IMPELLER	S.S. 304 / S.S. 316
14	SPIRAL PLATE	S.S. 304 / S.S. 316
15	PUMP STAND	S.S. 304 / S.S. 316
#	FASTENER	S.S. 304 / S.S. 316
Note: M.O.C. SHOWING MAJOR PARTS ONLY		

GA Drawing



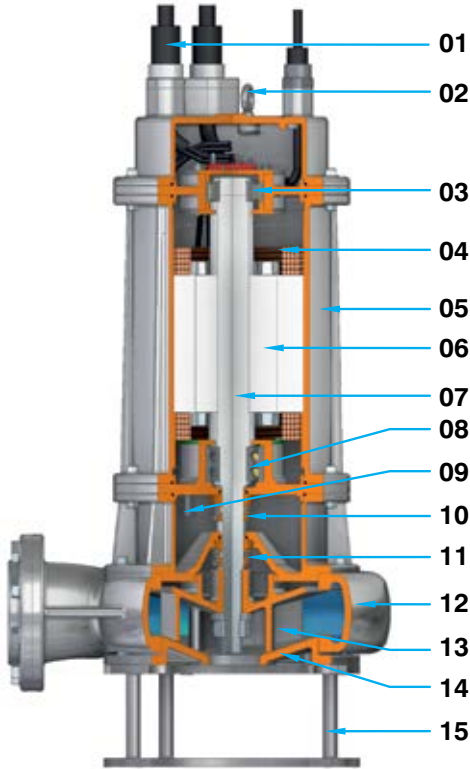
All Dimension are in mm

MODEL	MIN. OPENING	A	B	C	D	E	F	PUMP WEIGHT in Kg.	BOX SIZE LxBxH in inch	TOTAL WEIGHT in Kg.
4SSNSS7.5S4A	675	215	160	321	100	955	207	187	42x19x24	257
4SSNSS10S4A	774	265	209	415	100	1003	210	196	46x22x28	287
4SSNSS15S4A	774	265	209	415	100	1068	210	223	48x22x28	317
4SSNSS20S4A	798	280	218	440	100	1167	245	295	50x23x29	406
4SSNSS25S4A	798	280	218	440	100	1212	245	324	52x23x29	435
4SSNSS30S4A	798	280	218	440	100	1312	245	356	56x23x29	474
4SSNSS40S4A	910	355	255	532	100	1365	278	478	59x27x33	621
4SSNSS40S6B	950	362	288	575	150	1418	280	494	60x29x35	653
4SSNSS50S4A	910	355	255	532	100	1415	278	491	60x27x33	639
4SSNSS50S6B	950	362	288	575	150	1468	280	516	61x29x35	679
4SSNSS60S4A	910	355	255	532	100	1455	278	538	62x27x33	690
4SSNSS60S6B	950	362	288	575	150	1508	282	546	63x29x35	709

Submersible Sewage Pumps - DS Series

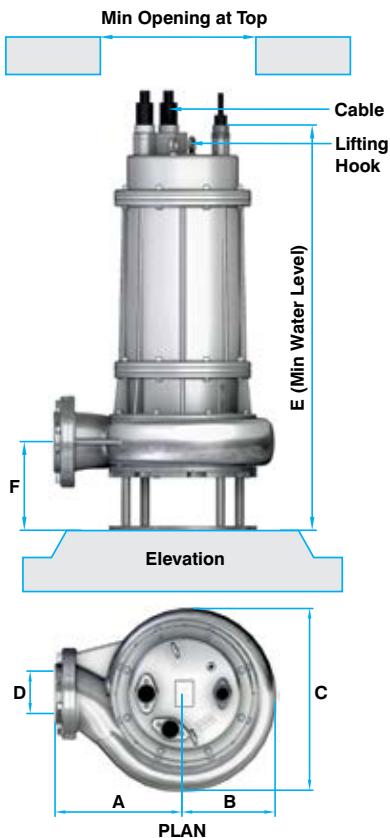
With Duplex Steel - 3A Construction

Cross Section



NO.	DESCRIPTION	MATERIAL
01	POWER & CONTROL CABLE	PVC. INSU. SHEATHED
02	LIFTING HOOK	S.S. 304
03	BALL BEARING (N.D.E.)	FAG. (GREASE LUB.)
04	THERMISTOR SENSOR (WTD)	GHANA CON
05	STATOR BODY	DUPLEX STEEL
06	ROTOR	ALU. DYE-CAST
07	ROTOR SHAFT	S.S. 410
08	BALL BEARING (D.E.)	FAG. (GREASE LUB.)
09	MOISTURE / SEAL LEAKAGE SENSOR (PSLD)	ALU. PROBE
10	MECH. SEAL (UPPER)	CR / SS
11	MECH. SEAL (LOWER)	SIC / SIC
12	VOLUTE	DUPLEX STEEL
13	IMPELLER	DUPLEX STEEL
14	SPIRAL PLATE	DUPLEX STEEL
15	PUMP STAND	S.S. 304
#	FASTENER	S.S. 304
Note: M.O.C. SHOWING MAJOR PARTS ONLY		

GA Drawing



All Dimension are in mm

MODEL	MIN. OPENING	A	B	C	D	E	F	PUMP WEIGHT in Kg.	BOX SIZE LxBxH in inch	TOTAL WEIGHT in Kg.
4DSNSC5S4A	675	215	160	321	100	873	207	163	40x19x24	230
4DSNSC7.5S4A	675	215	160	321	100	955	207	187	42x19x24	257
4DSNSC10S4A	774	265	209	415	100	1003	210	196	46x22x28	287
4DSNSC12.5S4A	774	265	209	415	100	1043	210	211	47x22x28	302
4DSNSC12.5S6B	890	330	260	515	150	1130	240	217	48x26x32	343
4DSNSC15S4A	774	265	209	415	100	1068	210	223	48x22x28	317
4DSNSC15S6B	890	330	260	515	150	1155	240	229	49x26x32	360
4DSNSC20S4A	798	280	218	440	100	1167	245	295	50x23x29	406
4DSNSC20S6B	890	330	260	515	150	1197	242	315	50x26x32	446
4DSNSC25S4A	798	280	218	440	100	1212	245	324	52x23x29	435
4DSNSC25S6B	890	330	260	515	150	1242	242	340	52x26x32	475
4DSNSC30S4A	798	280	218	440	100	1312	245	356	56x23x29	474
4DSNSC30S6B	890	330	260	515	150	1342	242	375	56x26x32	514
4DSNSC40S4A	910	355	255	532	100	1365	278	478	59x27x33	621
4DSNSC40S6B	950	362	288	575	150	1418	280	494	60x29x35	653
4DSNSC50S4A	910	355	255	532	100	1415	278	491	60x27x33	639
4DSNSC50S6B	950	362	288	575	150	1468	280	516	61x29x35	679
4DSNSC50S8C	967	390	277	552	200	1504	304	534	62x28x35	696
4DSNSC60S4A	910	355	255	532	100	1455	278	538	62x27x33	690
4DSNSC60S6B	950	362	288	575	150	1508	282	546	63x29x35	709
4DSNSC60S8C	967	390	277	552	200	1544	304	563	64x28x35	730
4DSNSC75S8B	967	390	277	552	200	1542	304	785	65x28x35	952
4DSNSC85S8B	967	390	277	552	200	1701	304	807	66x28x35	983
4DSNSC100S8B	967	390	277	552	200	1691	304	845	70x28x35	1021

With Duplex Steel - 3A Construction

Performance Curves • 1450 RPM

