


hydroo [®]	Product Information VDROO32-160	Manufacturer	Hydroo
		Address	
		Contact	(+34) 972 394 654
		Date	2023/04/21
Project Name		Client Name	Electropompa
		Client Addr.	
Item NO		Contacts	
		Contact	

Part NO.	VD32-160R 3000 T 4069 5 2 IE3
----------	-------------------------------

Product Picture	Note
	<p>VDROO is a new series of vertical multistage centrifugal pumps made by Hydroo. It includes different versions: VF, VX, VN and VD and their corresponding pumps sets with motor and with variable frequency drivers.</p> <p>VDROO range has been designed to meet the highest demanding in pumping installations. It has been designed, engineered, industrialized and finally, is being produced in the main factory of Hydroo in Palol de Revardit, Catalonia-Spain.</p>

Nameplate parameters

flow	32 m ³ /h
head	225 m
Efficiency	68.2
speed	2900
number of stages	16

Rated parameters

Min. Flow (m ³ /h)	16
Max. Flow (m ³ /h)	40
Max. Efficiency (%)	73
MEI	≥ 0,7
Pump Weight (kg)	350

MATERIAL

Impeller/Diffuser/Casing	AISI 904
Rubber code	F
Inlet & Outlet chamber	SS2205

INSTALLATION

Connection Code	R
Connection type	Threaded Round flange
Max. pressure (bar)	29
Low/High Temperature (°C)	-15 / 120
Pressure rating	PN25-40
Inlet & Outlet Connection	DN65
Max. Environment temperatu	40

MOTOR

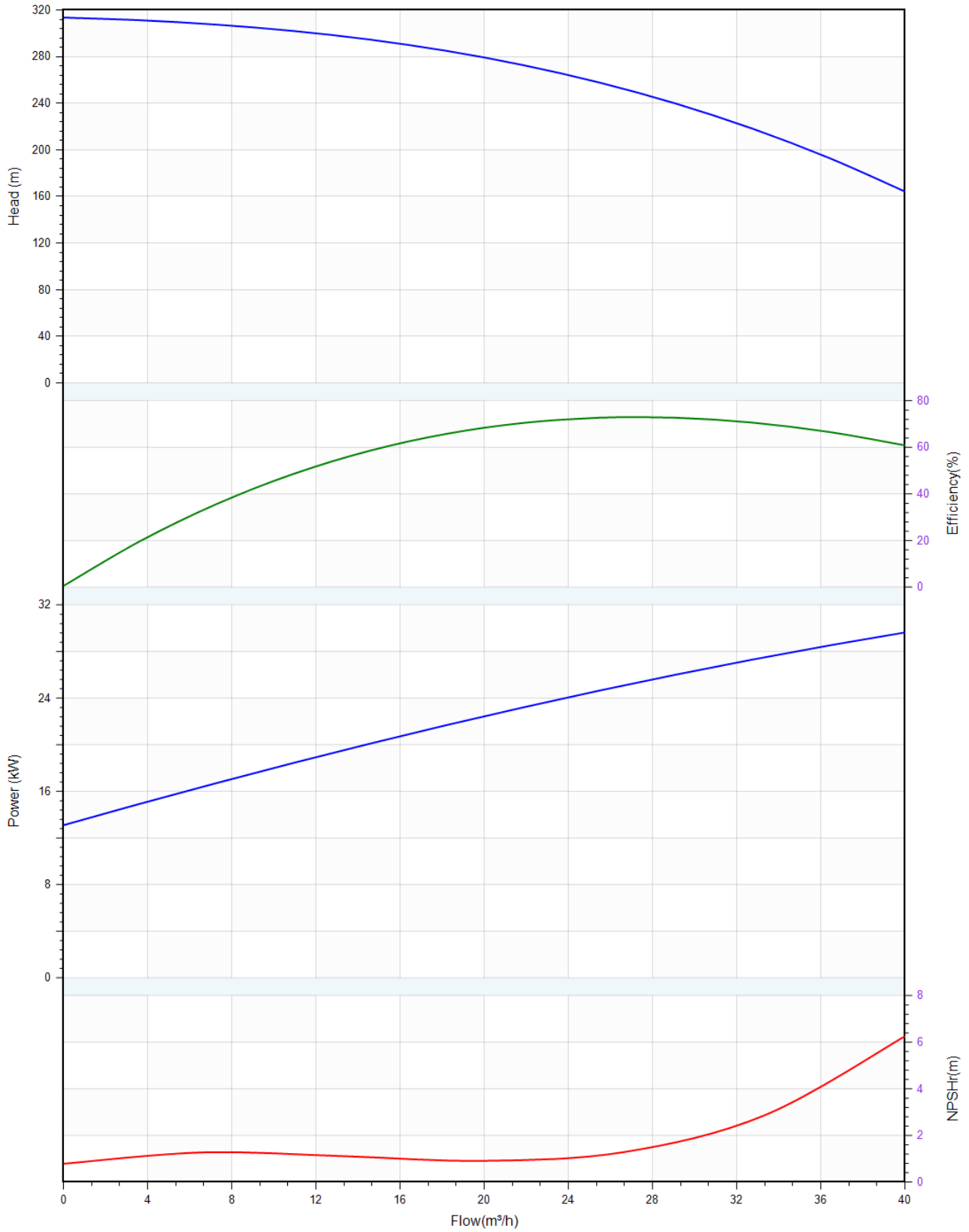
Number of Motor Phases	3~
Protection Class	IP55
Insulation Class	F
Motor power (kw)	30
Frequency(Hz)	50
Rated speed(rpm)	2900
Rated voltage (V)	400/690
Rated current (a)	52.1/30.2
cosφ	0.89
Energy efficiency Level	IE3
Efficiency100%	93.3

hydroo [®]	Product Information VDROO32-160	Manufacturer	Hydroo
		Address	
		Contact	(+34) 972 394 654
		Date	2023/04/21
Project Name		Client Name	Electropompa
		Client Addr.	
Item NO		Contacts	
		Contact	

Efficiency75%	93.2
Efficiency50%	92.3
Drive end bearing	6312ZZC3
Non-drive end bearing	7312B
Motor Weight (kg)	250
SEAL	
Mechanical seal	D22 WBF16

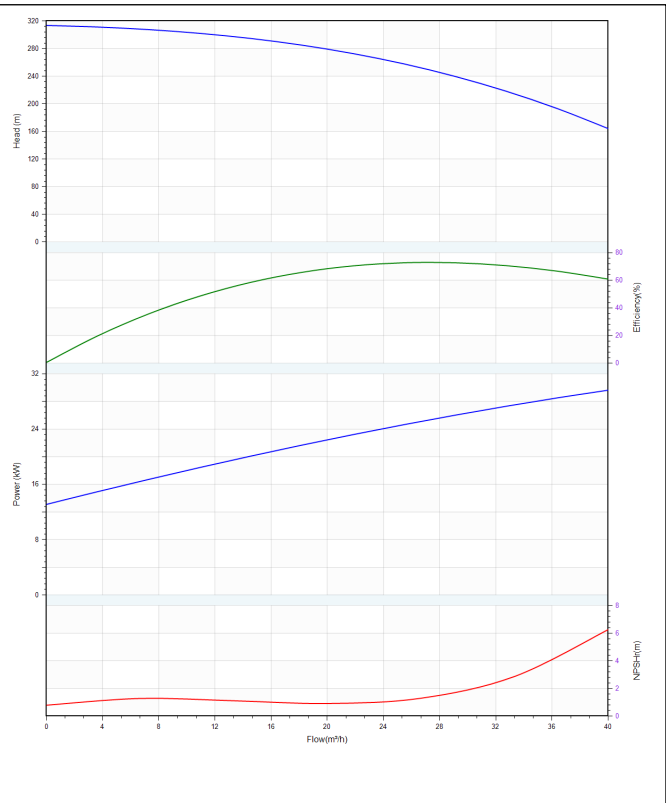
hydroo [®]	Performance Curve VDROO32-160	Manufacturer	Hydroo
		Address	
		Contact	(+34) 972 394 654
		Date	2023/04/21
Project Name		Client Name	Electropompa
Item NO		Client Addr.	
		Contacts	
		Contact	

The hydraulic performance curve have been tested with Water at °C, density 1000kg/m³, and at 1bar atmospheric pressure. GB32162016 Grande 3B

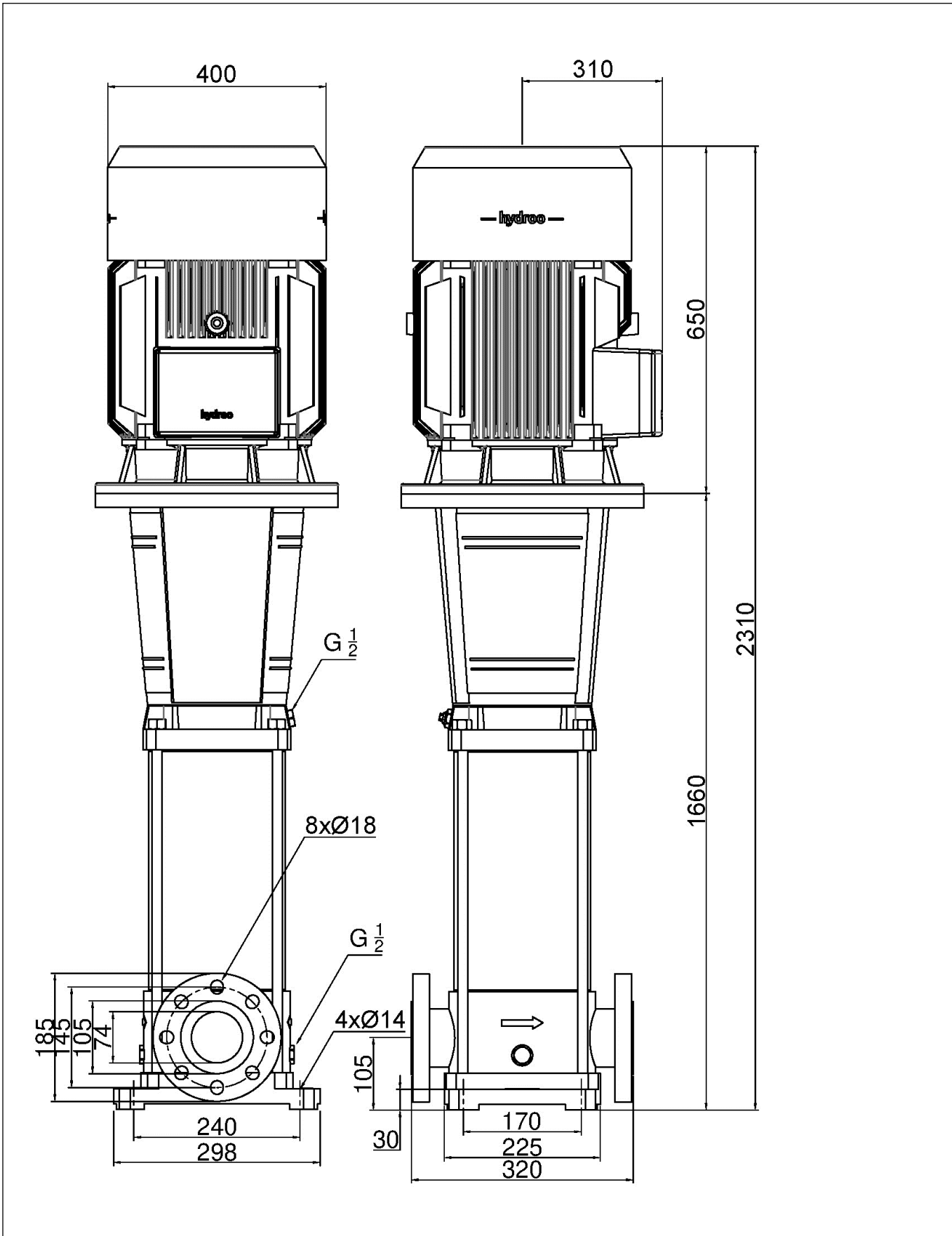


hydroo [®]	Pump Technical Parameters VDROO32-160	Manufacturer	Hydroo
		Address	
		Contact	(+34) 972 394 654
		Date	2023/04/21
Project Name		Client Name	Electropompa
Item NO		Client Addr.	
		Contacts	
		Contact	

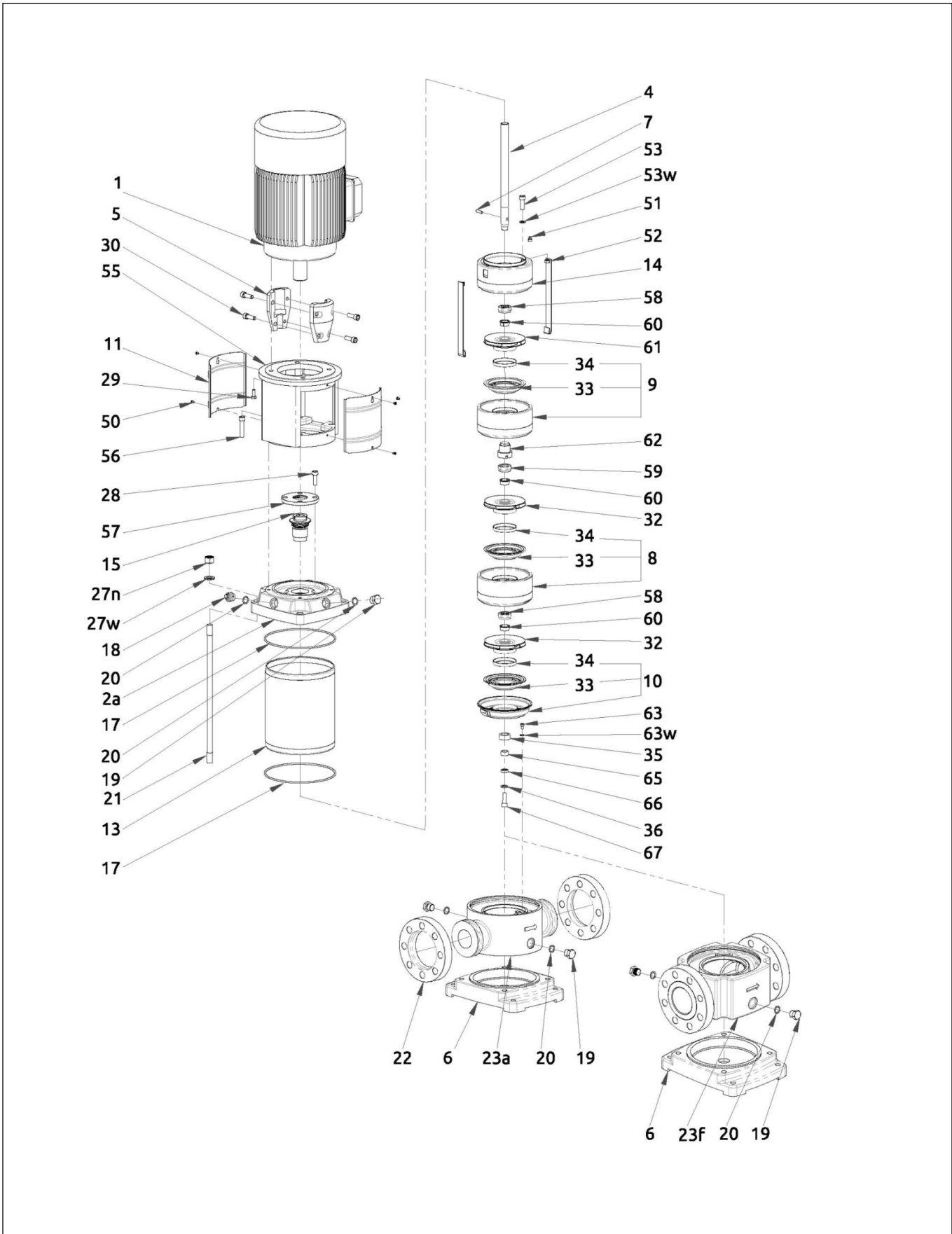
Rated parameters	
Pump model	VDROO32-160
Part NO.	VD32-160R 3000 T 4069 5 2 IE3
Rated flow	32 m ³ /h
Rated head	225 m
Rated efficiency (%)	68.2
Power (kW)	28.8
NPSHr (m)	2
Speed (rpm)	2900
Max impeller diameter (mm)	118
Medium	
Pumped medium	Water
Working temperature (°C)	20
Medium density (kg/m ³)	1000
Viscosity (mm ² /s)	1



hydroo [®]	Installation picture VDROO32-160	Manufacturer	Hydroo
		Address	
		Contact	(+34) 972 394 654
		Date	2023/04/21
Project Name		Client Name	Electropompa
Item NO		Client Addr.	
		Contacts	
		Contact	



hydroo [®]	Structure picture VDROO32-160	Manufacturer	Hydroo
		Address	
		Contact	(+34) 972 394 654
		Date	2023/04/21
Project Name		Client Name	Electropompa
Item NO		Client Addr.	
		Contacts	
		Contact	



hydroo [®]	Physical picture VDROO32-160	Manufacturer	Hydroo
		Address	
		Contact	(+34) 972 394 654
		Date	2023/04/21
Project Name		Client Name	Electropompa
Item NO		Client Addr.	
		Contacts	
		Contact	

